

DIVUS CIRCLE small Ø140mm



DATASHEET: APRIL 2018

DIVUS CIRCLE small

DIVUS CIRCLE small | DIVUS CIRCLE small +

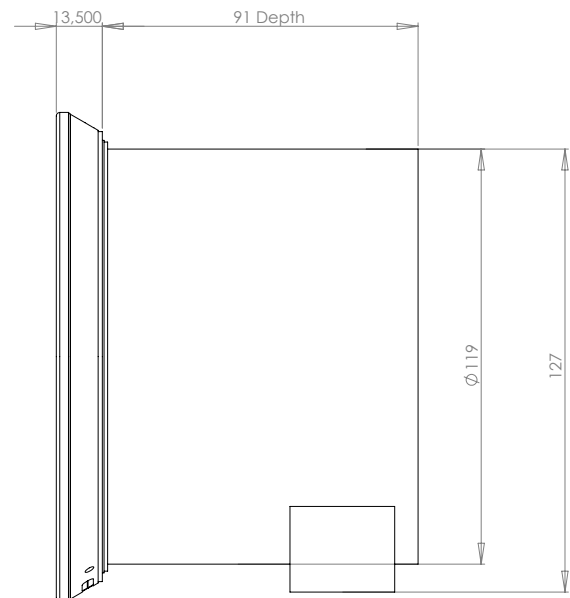
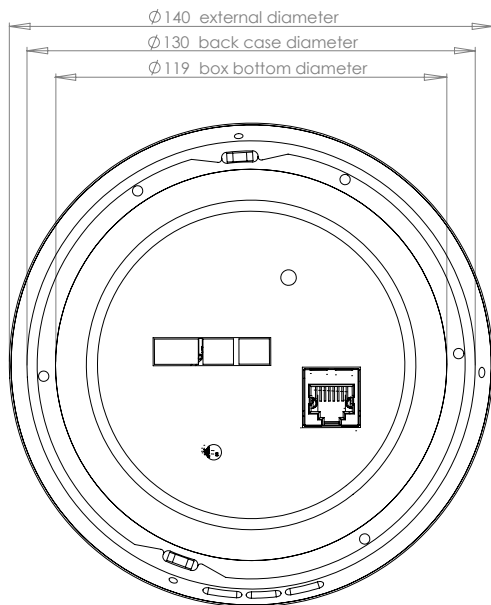
VER.1



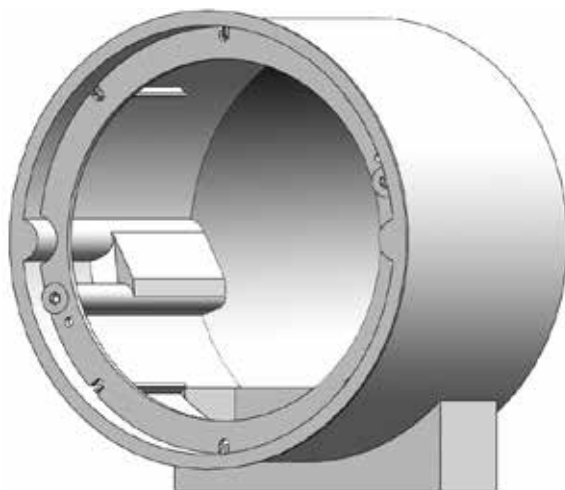
DIVUS CIRCLE small

OUTDOOR INTERCOM STATION FOR WALL MOUNT
 TECHNICAL DATA

	DIVUS CIRCLE small	DIVUS CIRCLE small +
FUNCTIONALITIES		
Main functions	Voice communication over SIP/VoIP Video streaming IP cam (MJPEG) Optional: RFID reader (opens door over card / badge) LED light ring for illumination and function signalling	
DIMENSIONS		
DIVUS CIRCLE small	Glass external diameter: 140 mm Depth (protruding from wall) with glass thickness (4mm): 13,5 mm	



Wall mounting box (flush)	Depth: 91 mm Diameter-box bottom: 119 mm	
---------------------------	---	--



DIVUS CIRCLE small

OUTDOOR INTERCOM STATION FOR WALL MOUNT TECHNICAL DATA

	DIVUS CIRCLE small	DIVUS CIRCLE small +
DESIGN		
	Compact device for wall mount; noiseless and without any rotating part, low power consumption. Smooth black circular glass surface. Aluminium back case	
Housing	Metal barrel for flush-mounting	
Protection	IP53 in conjunction with suitable housings / no direct sunlight	
ENVIRONMENT CONDITIONS (in protected outdoor areas)		
Temperature	-15°C to +40°C max.	
Relative humidity	15% to 80%	
POWER SUPPLY VOLTAGE		
Power Supply Voltage	48 VDC / PoE+	
Current ratings - max:	200 mA	
Current ratings - idle:	90 mA	
CONNECTIVITY		
	RJ45 ethernet RS485 serial interface (connects to the I/O-MODULE)	
CAMERA		
Sensor	1/3 CMOS sensor	
Resolution	1920x1080. 1-25 fps	
	Night vision with IR LEDs	
Lens	Wide-angle fish-eye lens; 1,7 mm, f 1/2,5"	
Coding Format	MJPEG	
AUDIO		
Inout/output	Microphone and loudspeaker (5W)	
Built-in functions	Acoustic echo cancelling, full duplex	
RFID (OPTIONAL)		
Standard	Mifare / ISO 14443A	
Frequency	13,56 MHz	
PROXIMITY SENSOR		
Detection Range	30 cm	
LED		
Luminosity Intensity	surrounding ring of 30 white LEDs; luminance on white: 710-1400 mcd each	
STANDARDS		
	CE conformity	
OUTPUTS		
	Through I/O module (see separated data sheet)	
DISPLAY		
Display	NO display	Graphic OLED, 128 x 32 white on black
Touch	NO touch	Touch: 4 segments



I/O MODULE

FOR DIVUS CIRCLE AND DIVUS CIRCLE small

TECHNICAL DATA

I/O MODULE	
CHARACTERISTICS	
<p>The I/O module can control external loads such as electric locks (variable load between 250 mA and 1.5A at 12-24V) and standard lightings (12 - 220V). The module is connected via RS 485 to the master DIVUS CIRCLE or CIRCLE small device and is able to execute the commands programmable on the CIRCLE device.</p>	
HARDWARE DESCRIPTION	
SPECIFICATION	
POWER SUPPLY	12-50 V DC 12-35 V AC
OPERATING TEMPERATURE RANGE	-20°C ÷ 70°C
CONNECTIVITY	
RS 485	Max. distance 1km Max Bit rate: 115200 bps Terminal resistance settable via switch
INPUTS/OUTPUTS	
DIGITAL INPUTS	Amount: 4 optoisolated Input type: NPN Type of connection: open-drain, com to GND
OUTPUTS	Amount: 2 Output voltage: 12/24 V DC settable depend on supply voltage board Maximum current deliverable: 1,5 A (total)
RELAYS	Amount: 2 Maximum current: 6A resistive load Maximum tension: 250 VAC, 25 VDC Form C relays are SPDT and break the connection with one throw before making contact with the other (break-before-make)



I/O MODULE

FOR DIVUS CIRCLE AND DIVUS CIRCLE Small

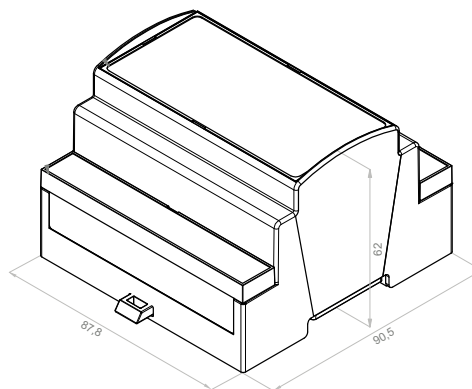
TECHNICAL DATA

I/O MODULE

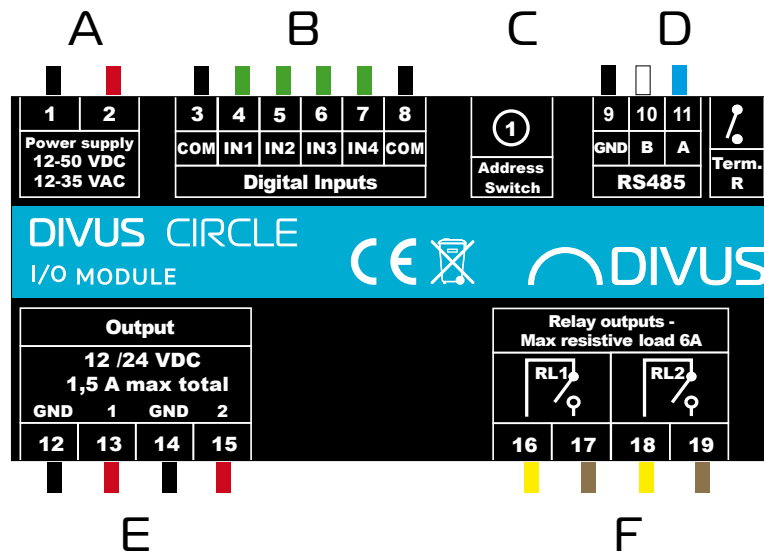
MECHANICAL DESCRIPTION

DIN RAIL MOUNTING BOX

The container for electronic instruments that can be hooked onto the DIN rail (EN60715) has been chosen according to DIN 438880 standards, as shown in the figure. It's a 5 modules unit.



CONNECTION DETAILS



- A. Power supply (reversible)
- B. 4 digital inputs
- C. Rotary switch for modbus address
- D. RS-485 - FTP AWG20/24 cable (Connect the cable shield to GND pin)
- E. 2 Programmable outputs 12/24 VDC (max. 1.5 A total) on both ports
- F. 2 Relay outputs to connect light, FCU, roller shutter motors, any other controlled load