

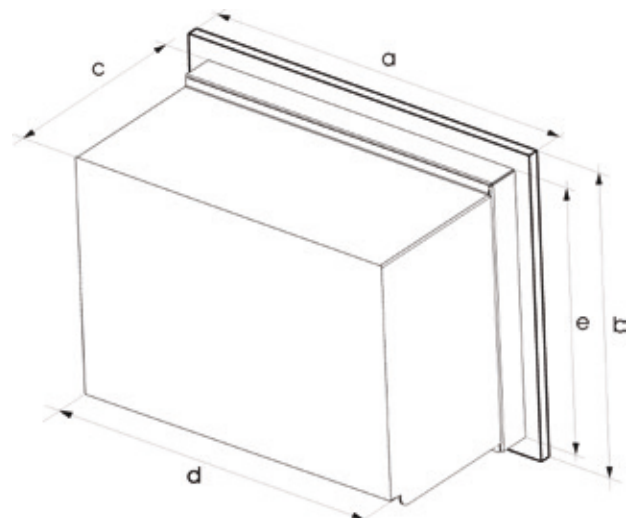
TECHNICAL DATA

DL 70	
Product Type	Compact Panel PC
General characteristics	
Processor	- Intel® Celeron - Intel® Pentium dual Core - Intel® Core 2 Duo
Chipset	Intel G41 Express
Memory	2-8 GB DDR3-1333
Expansion slots	1xPCI, 1x PCIe x16
Operating systems	Microsoft Windows 2000/XP/7/8/10
Power Supply	90 - 264 VAC, overload protection, short circuit protection, over voltage protection 24VDC optional
Nominal Power	300 W active PFC power supply, efficiency $\geq 75\%$
Guarantee	24 Months ¹
Drives	
Mass Memory	2,5" HDD at 60 GB (optional RAID system)
Optical Drives	DVD/CD-RW drive, rear side operation
Additional Drives	Floppy, rear side operation
Interfaces	
LAN/Ethernet	onboard Atheros® PCIEx1 LAN AR8152
USB	4 x USB 2.0 (4 x external)
Serial Interface	1 x RS232 internal
Parallel Interface	1 x LPT internal
Keyboard/Mouse	2 x PS/2
Multimedia	Realtek ALC662,5.1-Kanal Audio
Watchdog functions	
CPU Temperature	Surveillance onboard
Fan rotation	Surveillance onboard
Ambient Conditions	
Vibration resistance	0,67G (5-500MHz)
Shock resistance	300G/2ms
EMC	EN 55011, 55022, 500081
Temperature	+5°C to +45°C max.
Relative humidity	5% to 80% at 25°C (no humidity/condense)
Authorization	CE
Mechanical Characteristics	
PC Unit	Powder coated, EMC proofed

¹ warranty ex works, normally 24 months, fixed at order.
All data refer on print date, errors and changes excepted



Front Unit				
Display diagonal size	12"	15"	19"	21"
	30,5 cm	38,1 cm	48,3 cm	54,1 cm
Resolution	800x600	1024x768	1280x1024	1600x1200
Luminosity [cd/m ²]	400	430	300	250
Contrast Ratio	500:1	450:1	800:1	500:1
MTBF backlight [h]	50.000			
Input	Resistive Touchscreen, 6-wire technology			
Touchcontroller	Alternatively USB or RS232			
Front	Alloy anodised, chemical resistant polyester foil			
Rating	IP65 according EN 60529			
Dimensions [mm]				
a:	400		472	540
b:	310		383	440
c:	200		205	220
d:	370		440	509
e:	290		363	406
Weight	ca. 10 kg		ca. 13 kg	



HIGHLIGHTS

- 4 Slots
- SATA RAID 0, 1, JBOD possible
- High Performance
- FSB up to 1333 MHz
- High configuration flexibility
- Intel® Core™2 Duo, Pentium® D, Pentium® 4, Celeron® D processors



DL 70 CONFIGURATION

	1	2	3	4	5	6	7	8	
MONITOR									
30,5 cm 12" TFT Display, 800x600 Pixel	1								
38,1 cm 15" TFT Display, 1024x768 Pixel	2								
48,3 cm 19" TFT Display, 1280x1024 Pixel	4								
54,1 cm 21" TFT Display, 1600x1200 Pixel	5								
PROCESSOR									
Celeron 1000MHz PIII Board, 3 PCI	1								
Pentium dual Core LGA775, 1 PCI Slots, 1 PCIe Slots	4								
Intel® Core 2 Duo, 1 PCI Slots, 1 PCIe Slots	5								
MEMORY									
512 MB			3						
2 GB ³			5						
4 GB ³			6						
8 GB ³			7						
DRIVES									
COMBO DVD/CD ROM R/W, slim Drive				2					
STORAGE									
2.5" no FD Drive, standard configuration					2				
2.5" with FD Drive - option-only with celeron					3				
POWER									
110/230 VAC, auto-switch							1		
24VDC, option							2		
FRONT									
DIVUS foil								0	
neutral, 1 colors								1	
customized ¹								2	
OPERATING SYSTEM									
Microsoft Windows 2000 Prof. MUI									A
Microsoft Windows XP Prof. MUI									L
Microsoft Windows 7 Prof. ³									M
Microsoft Windows 7 Ult. ³									O
Microsoft Windows 8 ³ English									P
Microsoft Windows 10 ³ MUI									Q
No operating System									0

YOUR ORDER CODE: DL 70



NOTES:

- ¹...Frontfoil: min. delivery 25 pcs
- ³...Only with CPU Code 4 or 5

OPTIONAL



Stainless steel front available on 15" and 19" panels

