

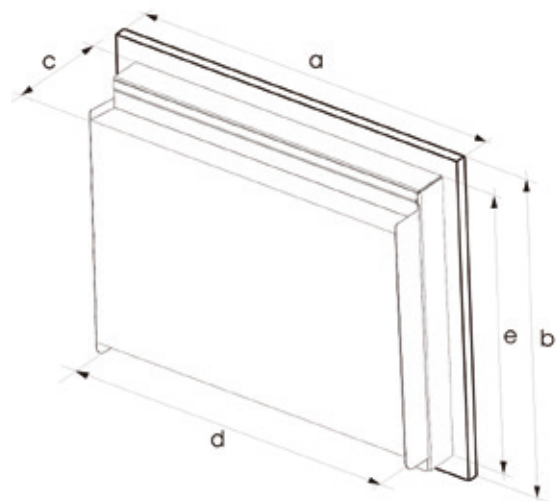
## TECHNICAL DATA

DE 830	
Product Type	Ultracompact embedded Panel PC
General characteristics	
Processor	Onboard AMD Geode™ 500MHz (LX800)
Chipset	AMD CS5536
Memory	≥ 128MB DDR SO-DIMM
Operating systems	Microsoft Windows CE 5.0/XP-Embedded
Power Supply	24 VDC (6,5") / 230 VAC (10,4")
	24 VDC optional (10,4")
Power consumption	25 W with 10" Display
Guarantee	24 Months <sup>1</sup>
Drives	
Mass Memory	DOM (Disk On Module) up to 8GB
Additional Drives	Type II CF (int), PCMCIA (ext)
Interfaces	
LAN/Ethernet	10/100Mbps (ext)
USB	3 x USB 2.0 (ext)
Serial Interface	2 x RS-232 (ext), Digital I/O (4-in/4-out) header on board
Parallel Interface	1 x LPT header on board
Keyboard/Mouse	1 x PS/2 for KB and Mouse (ext)
Video	1 x VGA port
Multimedia	Realtek ALC203 AC97 audio codec, header on board
Watchdog Functions	
CPU Temperature	Surveillance onboard
Fan rotation	Surveillance onboard
Ambient Conditions	
Vibration resistance	15G
Shock resistance	50G
EMC	EN 55011, 55022, 500081
Temperature	+5°C to +45°C max.
Relative humidity	5% to 80% at 25°C (no humidity/condense)
Authorization	CE
Mechanical Characteristics	
PC Unit	High-grade steel, EMC proofed

<sup>1</sup> warranty ex works, normally 24 months, fixed at order.  
All data refer on print date, errors and changes excepted



Front Unit		
Display diagonal size	6,5"	10,4"
	16,5 cm	26,4 cm
Resolution	640x480	800x600
Luminosity [cd/m <sup>2</sup> ]	500	230
Contrast Ratio	600:1	500:1
MTBF backlight	50.000 h	
Input	Resistive Touchscreen, 4-wire technology	Resistive Touchscreen, 6-wire technology
Touchcontroller	USB	
Front	Alloy anodised, chemical resistant polyester foil	
Rating	IP65 according EN 60529	
Dimensions [mm]		
a:	226	300
b:	157	230
c:	82	90
d:	244	282
e:	175	212
Weight	ca. 3 kg	ca. 4 kg



## HIGHLIGHTS

- High reliability
- Ultra compact dimensions
- Low mounting depth
- Very low power requirements
- AMD Geode™ processors
- Embedded system
- Extreme high stability of operating system
- Fanless, passive air conduction
- Motionless, no moving parts



## DE 830 CONFIGURATION

### MONITOR

16,5 cm 6,5" TFT Display, 640x480 Pixel
26,4 cm 10,4" TFT Display, 800x600 Pixel

### PROCESSOR

AMD Geode 500MHz (LX800)
--------------------------

### MEMORY

≥ 128 MB
512 MB
1 GB

### STORAGE

DiscOnModule 32 MB
DiscOnModule 64 MB
DiscOnModule 512 MB
DiscOnModule 1 GB
DiscOnModule 2 GB
DiscOnModule 4 GB
DiscOnModule 8 GB

### DRIVES

CFC-Adapter
-------------

### POWER

110/230 VAC, auto-switch <sup>1</sup>
24 VDC

### FRONT

DIVUS foil
neutral, 1 colors
customized <sup>2</sup>

### OPERATING SYSTEM

Microsoft Windows CE 5.0
Microsoft Windows XP Embedded <sup>3</sup>

1	2	3	4	5	6	7	8
---	---	---	---	---	---	---	---

1							
3							

	1						
--	---	--	--	--	--	--	--

		2					
		3					
		4					

			1				
			2				
			3				
			4				
			5				
			6				
			7				

				1			
--	--	--	--	---	--	--	--

				1			
				2			

						0	
						1	
						2	

							R
							S

**YOUR ORDER CODE: DE 830**

1						1			
---	--	--	--	--	--	---	--	--	--

### NOTES:

- <sup>1</sup> Only for 10,4" version
- <sup>2</sup> Frontfoil: min. delivery 25 pcs
- <sup>3</sup> Microsoft Windows XP-Embedded requires 512 MB Memory