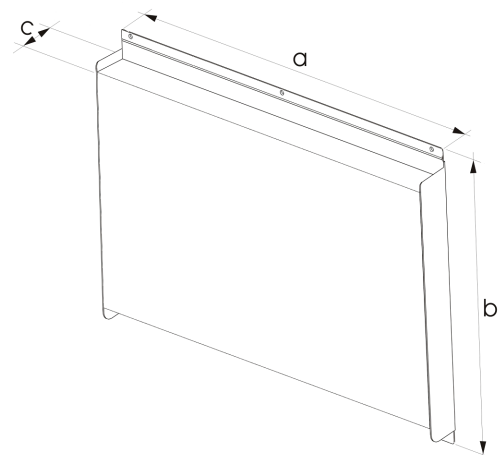


TECHNICAL DATA

DB 870	
Product Type	Compact embedded box PC
General characteristics	
Processor	Intel® mobile Core™ i5/i3 fan
Chipset	Intel® HM55
Memory	2GB to 4GB DDR 3 SDRAM
Expansion slots	1 PCIe x16 slot 1 PCIe Mini card slot
Operating systems	WES2009, WES7, WE8S
Power Supply	90 - 264 VAC auto range 24VDC optional ¹
Power consumption	25 W
Guarantee	24 Months ¹
Drives	
Mass Memory	Flash Memory SLC or MLC various sizes
Additional Drives	Compact Flash Reader, optional
Interfaces	
LAN/Ethernet	Dual PCIe GbE controller
USB	5 x USB 2.0 (4 x external, 1 x internal)
Serial Interface	1 x RS232 (ext), 1 x RS -232/422/485 (int)
Keyboard/Mouse	via USB
Display	1 free VGA port (dual display architecture)
Multimedia	Mic in, Line out
Watchdog Functions	
CPU Temperature	Surveillance onboard, auto throttling control when CPU overheats
Ambient Conditions	
Vibration resistance	15G
Shock resistance	50G
EMC	EN 55011, 55022, 500081
Temperature	+5°C to +45°C max.
Relative humidity	5% to 80% at 25°C (no humidity/condense)
Authorization	CE
Mechanical Characteristics	
PC Unit	Powder coated, EMC proofed



Dimensions [mm]	
a:	368
b:	289
c:	55
Weight	ca. 6 kg



¹ warranty ex works, normally 24 months, fixed at order.
All data refer on print date, errors and changes excepted

HIGHLIGHTS

- Smart Fan System
- Intel® i3/i5 mobile
- Low mounting depth
- High power efficiency
- High performance
- Dual LAN



DB 870 CONFIGURATION

	1	2	3	4	5	6	7	8
MONITOR								
no configuration	0							
PROCESSOR								
Intel® mobile Core™ i3 fan		5						
Intel® mobile Core™ i5 fan		6						
MEMORY								
2 GB			5					
4 GB			6					
STORAGE								
Flash Memory SLC 4 GB				6				
Flash Memory SLC 16 GB				8				
Flash Memory MLC 32 GB ⁴				9				
Flash Memory MLC >=60 GB ⁴				X				
DRIVES								
No drives					0			
CFC-Adapter					1			
POWER								
110/230 VAC, auto-switch fanless						1		
24 VDC fanless						2		
FRONT								
no configuration							0	
OPERATING SYSTEM								
Microsoft WES 2009								S
Microsoft WE7E English - min. 8 GB Storage								T
Microsoft WE7P MUI - min. 16 GB Storage								U
Microsoft WE8S - min. 60 GB Storage								V

YOUR ORDER CODE: DB 870

0							0
---	--	--	--	--	--	--	---

NOTES:

⁴ SLC Drive on request