

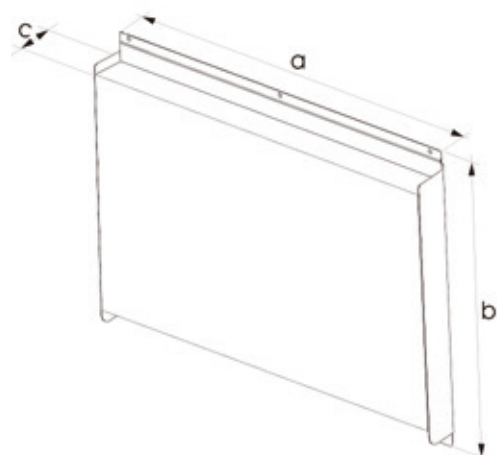
### TECHNICAL DATA

<b>DB 830</b>	
Product Type	Ultracompact embedded BOX PC
<b>General characteristics</b>	
Processor	Onboard AMD Geode™ 500MHz (LX800)
Chipset	AMD CS5536
Memory	128MB DDR SO-DIMM
Operating systems	Microsoft Windows CE 5.0 / XP-Embedded
Power Supply	230 VAC
	24 VDC optional
Power consumption	15 W
Guarantee	24 Months <sup>1</sup>
<b>Drives</b>	
Mass Memory	DOM (Disk On Module) up to 8GB
Additional Drives	Type II CF (int), PCMCIA (ext)
<b>Interfaces</b>	
LAN/Ethernet	10/100Mbps (ext)
USB	3 x USB 2.0 (ext)
Serial Interface	2 x RS-232 (ext), Digital I/O (4-in/4-out) header on board
Parallel Interface	1 x LPT header on board
Keyboard/Mouse	1 x PS/2 for KB and Mouse (ext)
Video	1 x VGA port
Multimedia	Realtek ALC203 AC97 audio codec, header on board
<b>Watchdog Functions</b>	
CPU Temperature	Surveillance onboard
<b>Ambient Conditions</b>	
Vibration resistance	15G
Shock resistance	50G
EMC	EN 55011, 55022, 500081
Temperature	+5°C to +45°C max.
Relative humidity	5% to 80% at 25°C (no humidity/condense)
Authorization	CE
<b>Mechanical Characteristics</b>	
PC Unit	High-grade steel, EMC proofed

<sup>1</sup> warranty ex works, normally 24 months, fixed at order.  
 DIN rail fixing set available  
 All data refer on print date, errors and changes excepted.



Dimensions [mm]	
a:	288
b:	155
c:	53
Weight	ca. 3 kg



### HIGHLIGHTS

- High reliability
- DIN rail mounting kit available
- Ultra compact dimensions
- Low mounting depth
- Very low power requirements
- AMD Geode™ processors
- Embedded system
- Extreme high stability of operating system



### DB 830 CONFIGURATION

#### MONITOR

no configuration

#### PROCESSOR

AMD Geode 500MHz (LX800)

#### MEMORY

256 MB

512 MB

1 GB

#### STORAGE

DiscOnModule 32 MB

DiscOnModule 64 MB

DiscOnModule 512 MB

DiscOnModule 1 GB

DiscOnModule 2 GB

DiscOnModule 4 GB

DiscOnModule 8 GB

#### DRIVES

CFC-Adapter

#### POWER

110/230 VAC, auto-switch fanless

24 VDC fanless

#### FRONT

no configuration

#### OPERATING SYSTEM

Microsoft Windows CE 5.0

Microsoft Windows XP Embedded<sup>1</sup>

1	2	3	4	5	6	7	8
---	---	---	---	---	---	---	---

0							
---	--	--	--	--	--	--	--

1							
---	--	--	--	--	--	--	--

	2						
--	---	--	--	--	--	--	--

	3						
--	---	--	--	--	--	--	--

	4						
--	---	--	--	--	--	--	--

			1				
--	--	--	---	--	--	--	--

			2				
--	--	--	---	--	--	--	--

			3				
--	--	--	---	--	--	--	--

			4				
--	--	--	---	--	--	--	--

			5				
--	--	--	---	--	--	--	--

			6				
--	--	--	---	--	--	--	--

			7				
--	--	--	---	--	--	--	--

					1		
--	--	--	--	--	---	--	--

					1		
--	--	--	--	--	---	--	--

					2		
--	--	--	--	--	---	--	--

						0	
--	--	--	--	--	--	---	--

							R
--	--	--	--	--	--	--	---

							S
--	--	--	--	--	--	--	---

**YOUR ORDER CODE: DB 830**

0	1			1		0	
---	---	--	--	---	--	---	--

#### NOTES:

<sup>1</sup> Microsoft Windows XP-Embedded requires 512 MB Memory