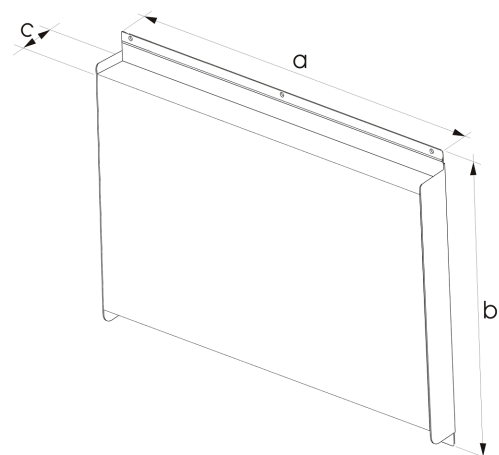


TECHNICAL DATA

DB 690	
Product Type	Compact embedded box PC
General characteristics	
Processor	Intel Celeron Quad Core J1900 2.0 GHz - 2MB L2 cache -- FANLESS
Chipset	Intel Gen 7 Graphics Engines
Memory	Dual channel DDR3L 1066/1333 MHz SDRAM UP to 8GB
Expansion slots	1 x PCI Express x1 (riser card optional) 1 x colay H/S MiniPCIe
Operating systems	Microsoft Windows 7/8/10
Power Supply	90 - 260 VAC fanless 10 - 36 VDC fanless optional
Power consumption	20 W
Guarantee	24 Months ¹
Drives	
Mass Memory	2,5" HDD >= 60 GB (optional Flash Disk)
Additional Drives	Compact Flash Reader, optional
Interfaces	
LAN/Ethernet	2 x PCIe Gigabit ethernet controller onboard
USB	5 x USB2.0 (3xext, 2xint) 1 x USB3.0 (ext)
Serial Interface	5 x RS-232 (5 x int), 1 x RS-232/422/485 (int)
Keyboard/Mouse	via USB
Video	1 x VGA Supports up to 2560 x 1600
Multimedia	Realtek ALC892 Audio Codec
Other Interfaces	8 bit GPIO (int)
Watchdog Functions	
CPU Temperature	Surveillance onboard
Ambient Conditions	
Vibration resistance	15G
Shock resistance	50G
EMC	EN 55011, 55022, 500081
Temperature	+5°C to +45°C max.
Relative humidity	5% to 80% at 25°C (no humidity/condense)
Authorization	CE
Mechanical Characteristics	
PC Unit	Powder coated, EMC proofed



Dimensions [mm]	
a:	368
b:	289
c:	55
Weight	ca. 6 kg



¹ warranty ex works, normally 24 months, fixed at order.
All data refer on print date, errors and changes excepted

HIGHLIGHTS

- 1 expansion slot
- Low mounting depth
- Low power requirements
- Intel ATOM processor
- Fanless, passive air conduction



DB 690 CONFIGURATION

MONITOR

no configuration

PROCESSOR

Intel® Celeron Quad Core Processor J1900 2.0GHz

MEMORY

2 GB

4 GB³

8 GB³

STORAGE

HDD 2.5" min 60 GB

MLC Flash drive 40GB⁴

DRIVES

No drives

CFC-Adapter on slot 2

PCIe flexible riser card on slot 2,3

POWER

110/230 VAC, auto-switch fanless

9 - 28 VDC fanless

FRONT

no configuration

OPERATING SYSTEM

Microsoft Windows 7 Prof. English

Microsoft Windows 7 Ult. MUI

Microsoft Windows 8³

Microsoft Windows 10³

No operating System

YOUR ORDER CODE: DB 690

³ Only on Celeron J1900

⁴ SLC Drive available upon request

1	2	3	4	5	6	7	8
---	---	---	---	---	---	---	---

0							
---	--	--	--	--	--	--	--

3							
---	--	--	--	--	--	--	--

		5					
--	--	---	--	--	--	--	--

		6					
--	--	---	--	--	--	--	--

		7					
--	--	---	--	--	--	--	--

			1				
--	--	--	---	--	--	--	--

			x				
--	--	--	---	--	--	--	--

				0			
--	--	--	--	---	--	--	--

				1			
--	--	--	--	---	--	--	--

				6			
--	--	--	--	---	--	--	--

					1		
--	--	--	--	--	---	--	--

					2		
--	--	--	--	--	---	--	--

							0
--	--	--	--	--	--	--	---

							M
--	--	--	--	--	--	--	---

							O
--	--	--	--	--	--	--	---

							P
--	--	--	--	--	--	--	---

							Q
--	--	--	--	--	--	--	---

							O
--	--	--	--	--	--	--	---

0						0	
---	--	--	--	--	--	---	--