

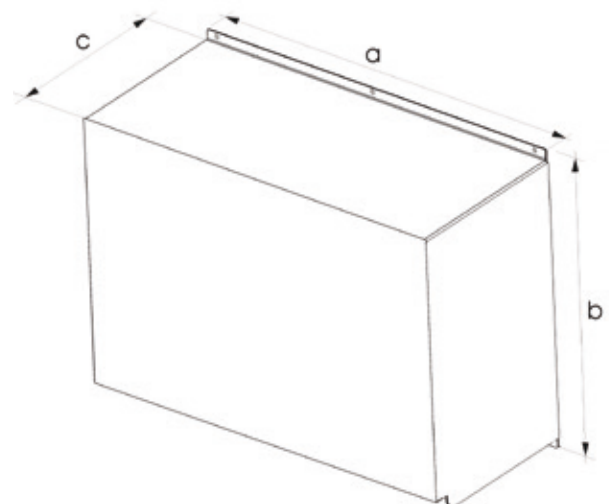
TECHNICAL DATA

DB 100	
Product Type	Compact Box PC
General characteristics	
Processor	- Intel® Celeron - Intel® Pentium dual core - Intel® Core 2 Duo
Chipset	Intel G41 Express
Memory	2-8 GB DDR3-1333
Expansion slots	1xPCI, 1x PCIe x16
Operating systems	Microsoft Windows 2000/XP/7/8/10
Power Supply	90 - 264 VAC, overload protection, short circuit protection, over voltage protection 24VDC optional
Nominal Power	300 W active PFC, efficiency ≥ 75 %
Guarantee	24 Months ¹
Drives	
Mass Memory	2,5" HDD at 60 GB (optional RAID system)
Optical Drives	DVD/CD-RW drive, rear side operation
Additional Drives	Floppy, rear side operation
Interfaces	
LAN/Ethernet	onboard Atheros® PCIEx1 LAN AR8152
USB	4 x USB 2.0 (4 x external)
Serial Interface	1 x RS232 internal
Parallel Interface	1 x LPT internal
Keyboard/Mouse	2 x PS/2
Video	1 x VGA Port
Multimedia	Realtek ALC662,5.1-Kanal Audio
Watchdog Functions	
CPU Temperature	Surveillance onboard
Fan rotation	Surveillance onboard
Ambient Conditions	
Vibration resistance	0,67G (5-500Mhz)
Shock resistance	300G/2ms
EMC	EN 55011, 55022, 500081
Temperature	+5°C to +45°C max.
Relative humidity	5% to 80% at 25°C (no humidity/condense)
Authorization	CE
Mechanical Characteristics	
PC Unit	Powder coated, EMC proofed

¹ warranty ex works, normally 24 months, fixed at order.
All data refer on print date, errors and changes excepted



Dimensions [mm]	
a:	368
b:	289
c:	165
Weight	ca. 7 kg



HIGHLIGHTS

- 4 Slots
- SATA RAID 0, 1, JBOD possible
- High Performance
- FSB up to 1066 MHz
- High configuration flexibility
- Intel® Core™2 Duo, Pentium® D, Pentium® 4, Celeron® D processors
- LookIn Display available



DB 100 CONFIGURATION

	1	2	3	4	5	6	7	8
MONITOR								
no configuration	0							
LookIn Display	L							
PROCESSOR								
Celeron 1000MHz PIII Board, 3 PCI	1							
Pentium dual Core LGA775, 1 PCI Slots, 1 PCIe Slots	4							
Intel® Core 2 Duo, 1 PCI Slots, 1 PCIe Slots	5							
MEMORY								
512 MB			3					
2 GB ³			5					
4 GB ³			6					
8 GB ³			7					
DRIVES								
COMBO DVD/CD ROM R/W, slim Drive				2				
STORAGE								
2.5" no FD Drive, standard configuration					2			
2.5" with FD Drive - option-only with celeron					3			
POWER								
110/230 VAC, auto-switch						1		
24VDC, option						2		
FRONT								
no configuration								0
OPERATING SYSTEM								
Microsoft Windows 2000 Prof. MUI								A
Microsoft Windows XP Prof. MUI								L
Microsoft Windows 7 Prof.3								M
Microsoft Windows 7 Ult.3								O
Microsoft Windows 8 ³								P
Microsoft Windows 10 ³								Q
No operating System								0

YOUR ORDER CODE: DB 100



NOTES:
³ ...Only with CPU Code 4 or 5

LookIn Display is situated on the front of the box and allows to check the status and control the settings of your DIVUS BOX PC. View CPU performance, change IP settings and more on the fly without a monitor, keyboard or mouse attached.