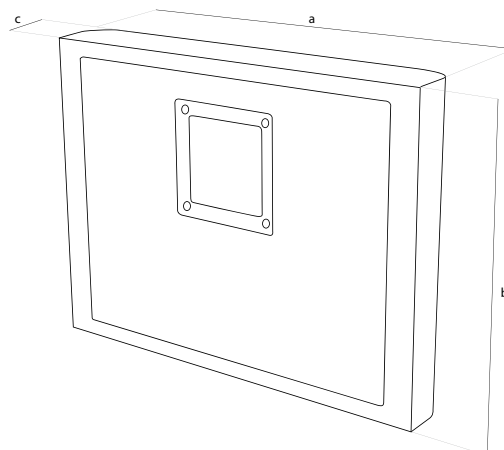


## Technical Data

STEEL Monitor		
Product Type	Embedded Stainless Steel Integrale Monitor - IP 65 all around	
Front Unit		
Display diagonal size	15" LED - 38,1 cm	48,3 cm 19"
Resolution	1024x768	1280x1024
Luminosity [cd/m <sup>2</sup> ]	350	300
Contrast Ratio	550:1	800:1
MTBF backlight [h]	50.000	
Input	Resistive Touchscreen, 6-wire technology	
Touchcontroller	USB	
Rating	IP65 all around according EN 60529	
General characteristics		
Power Supply	90-264 VAC autorange	
	24VDC optional	
Power consumption	30 W for 15" Display	
Guarantee	24 Months <sup>1</sup>	
Interfaces		
VGA / DVI	Connect with the VGA or DVI-Output of your box PC	
Touch	Connect with the USB- or Port of your box PC	
Ambient Conditions		
Vibration resistance	0,67G (5-500Mhz)	
Shock resistance	300G/2ms	
EMC	EN 55011, 55022, 500081	
Temperature	+5°C to +45°C max.	
Relative humidity	5% to 80% at 25°C (no humidity/condense)	
Authorization	CE	
Dimensions [mm]		
a:	440	530
b:	330	424
c:	65	76
Weight	ca. 9 kg	ca. 12 kg
Mechanical Characteristics		
PC Unit	Stainless steel V2A	

<sup>1</sup> warranty ex works, normally 24 months, fixed at order.-  
All data refer on print date, errors and changes excepted



## Highlights

- Stainless steel housing (V2A)
- Meets food plant hygiene standards
- IP65 around
- Interface pass through using VESA 100 connection
- Ultra LOW power requirements
- Low profile
- DVI and VGA connection



## DIVUS STEEL Configuration

	1	2	3	4	5	6	7	8
Monitor								
38,1 cm 15" TFT Display, 1024x768 Pixel, LED Backlight		2						
48,3 cm 19" TFT Display, 1280x1024 Pixel		4						
Graphic Interface								
VGA and DVI (24+1) dual link				0				
Devices								
no configuration			0	0	0			
Power								
110/230 VAC, auto-switch							1	
24VDC, option							2	
Front								
DIVUS								0
customized <sup>2</sup>								2
Operating system								
no configuration								0

Your order code: **D-STEEL**

<sup>2</sup> Customization: min. delivery 50 pcs

