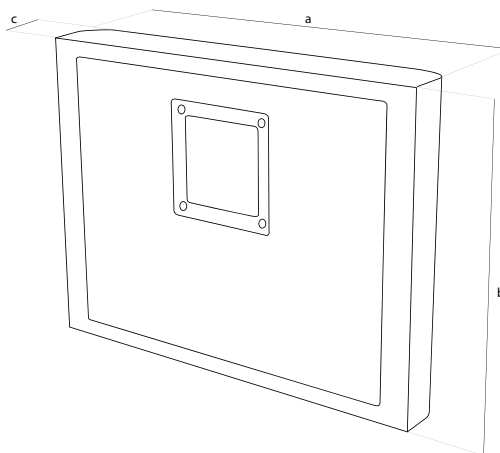


## Technical Data

DIVUS STEEL	
Product Type	Embedded Stainless Steel Integrale PC - IP 65 all around
General characteristics	
Processor	Intel® Atom™ Processor N270 1.6GHz with 533MHz FSB 512K L2 Cache -- FANLESS
Chipset	Intel® 945GSE + Intel® ICH7M
Memory	512MB to 2GB DDR2 SDRAM SO-DIMM
Expansion slots	N/A
Operating systems	Microsoft Windows XP embedded, Windows Embedded Standard
Power Supply	90 - 260 VAC fanless
	10 - 36 VDC fanless optional
Power consumption	30 W with 15" LED Monitor
Guarantee	24 Months <sup>1</sup>
Drives	
Mass Memory	DOM (Disk On Module) at 512MB (1, 2, 4 and 8GB optional)
Additional Drives	Compact Flash Reader onboard
Interfaces	
LAN/Ethernet	Dual PCIe Gigabit ethernet (2 x on VESA connection, optional 1 x IP65 RJ45 externally accessible on bottom; code S-RJ45)
USB	3 x USB2.0 (3 x on VESA connection, optional 1 USB IP65 externally accessible on bottom; code: S-USB)
Serial Interface	2 x RS232 (on VESA connection), optional 1 of them preconfigured to RS422 or RS485
Keyboard/Mouse	optional Keyboard system with touchpad optional with RFID see additional Datasheet DIVUS STEEL Keyboard System
Video	Intel® Graphics Media Accelerator 950
Multimedia	Realtek ALC655 AC'97 Codec (line out, mic in, spk out on VESA connection)
Power Button	1 external power button on bottom side
Watchdog Functions	
CPU Temperature	Surveillance onboard
Ambient Conditions	
Vibration resistance	15G
Shock resistance	50G
EMC	EN 55011, 55022, 500081
Temperature	+5°C to +45°C max.
Relative humidity	5% to 80% at 25°C (no humidity/condense)
Authorization	CE
Mechanical Characteristics	
PC Unit	Stainless steel V2A





Front Unit		
Display diagonal size	38,1 cm 15" LED backlight	48,3 cm 19"
Resolution	1024x768	1280x1024
Luminosity [cd/m²]	350	300
Contrast Ratio	550:1	800:1
MTBF backlight [h]	50.000	
Input	Resistive Touchscreen, 6-wire technology	
Touchcontroller	USB	
Rating	IP65 all around according EN 60529	
Mounting		
- by default DIVUS STEEL meets VESA 100 Standard - Type: MIS-D 100 - Distance between screw centers: 100 mm x 100 mm - Screws needed: M4		
Dimensions [mm]		
a:	440	530
b:	330	424
c:	65	76
Weight	ca. 10kg	ca. 13 kg



<sup>1</sup> warranty ex works, normally 24 months, fixed at order.- All data refer on print date, errors and changes excepted



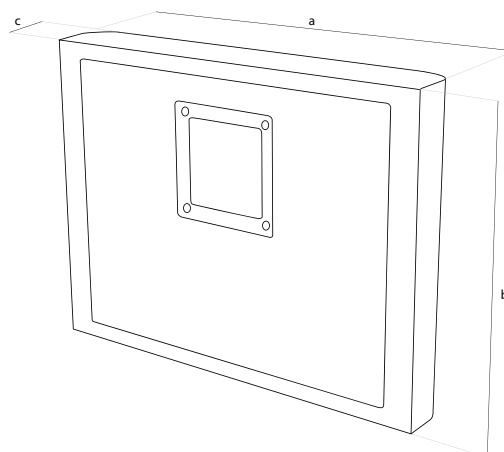
## Keyboard System

RFID Keyboard System	
<p>DIVUS STEEL Keyboard System prepared to work with your preferred RFID standard</p> <ul style="list-style-type: none"> <li>- Full standard keyboard (German layout)</li> <li>- Touchpad integrated</li> <li>- IP 65 All around</li> <li>- meets food plant hygiene standards</li> <li>- Integrated in DIVUS STEEL mechanics</li> <li>- prepared to contain customers RFID standard</li> </ul>	
Standard Keyboard system	
<p>DIVUS STEEL Keyboard System Standard</p> <ul style="list-style-type: none"> <li>- Full standard keyboard (German layout)</li> <li>- Touchpad integrated</li> <li>- IP 65 All around</li> <li>- meets food plant hygiene standards</li> <li>- Integrated in DIVUS STEEL mechanics</li> </ul>	

## Technical Data

STEEL Monitor		
Product Type	Embedded Stainless Steel Integrale Monitor - IP 65 all around	
Front Unit		
Display diagonal size	15" LED - 38,1 cm	48,3 cm 19"
Resolution	1024x768	1280x1024
Luminosity [cd/m <sup>2</sup> ]	350	300
Contrast Ratio	550:1	800:1
MTBF backlight [h]	50.000	
Input	Resistive Touchscreen, 6-wire technology	
Touchcontroller	USB	
Rating	IP65 all around according EN 60529	
General characteristics		
Power Supply	90-264 VAC autorange	
	24VDC optional	
Power consumption	30 W for 15" Display	
Guarantee	24 Months <sup>1</sup>	
Interfaces		
VGA / DVI	Connect with the VGA or DVI-Output of your box PC	
Touch	Connect with the USB- or Port of your box PC	
Ambient Conditions		
Vibration resistance	0,67G (5-500Mhz)	
Shock resistance	300G/2ms	
EMC	EN 55011, 55022, 500081	
Temperature	+5°C to +45°C max.	
Relative humidity	5% to 80% at 25°C (no humidity/condense)	
Authorization	CE	
Dimensions [mm]		
a:	440	530
b:	330	424
c:	65	76
Weight	ca. 9 kg	ca. 12 kg
Mechanical Characteristics		
PC Unit	Stainless steel V2A	

<sup>1</sup> warranty ex works, normally 24 months, fixed at order.-  
All data refer on print date, errors and changes excepted



## Highlights

- Stainless steel housing (V2A)
- Meets food plant hygiene standards
- IP65 around
- Interface pass through using VESA 100 connection
- Ultra LOW power requirements
- Low profile
- DVI and VGA connection



## DIVUS STEEL Configuration

	1	2	3	4	5	6	7	8
Monitor								
38,1 cm 15" TFT Display, 1024x768 Pixel, LED Backlight		2						
48,3 cm 19" TFT Display, 1280x1024 Pixel		4						
Graphic Interface								
VGA and DVI (24+1) dual link				0				
Devices								
no configuration			0	0	0			
Power								
110/230 VAC, auto-switch							1	
24VDC, option							2	
Front								
DIVUS								0
customized <sup>2</sup>								2
Operating system								
no configuration								0

Your order code: **D-STEEL**

<sup>2</sup> Customization: min. delivery 50 pcs



Optionals

BASE	
<p>DIVUS STEEL mounting example</p> <ul style="list-style-type: none"><li>- High quality V2A base for freestanding DIVUS STEEL positioning</li><li>- Measures::</li></ul>	
S_USB	
<p>USB Interface external, IP65, cable length 0,6m</p>	
S_RJ45	
<p>RJ45 Interface external, IP65, cable length 0,6m</p>	