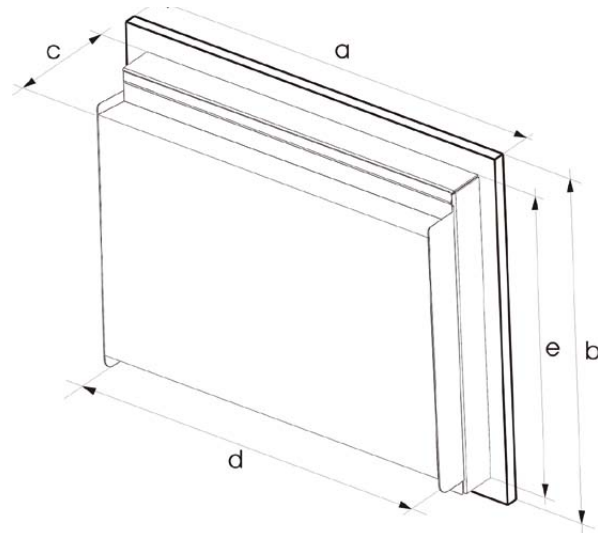


Technical Data

DSw680	
Product Type	Compact embedded Panel PC
General characteristics	
Processor	fanless low consumption ATOM N450 1,66 GHz CPU with integrated GMA3150 graphics controller
Chipset	Intel ICH8M
Memory	1 GB to 2GB DDR2 SDRAM SO-DIMM
Expansion slots	1 x miniPCIe Slot
Operating systems	Microsoft Windows XP, 2000 or 7
Power Supply	90 - 260 VAC fanless 24 VDC fanless optional
Power consumption	25 W with 15" Monitor
Guarantee	24 Months ¹
Drives	
Mass Memory	2,5" HDD at 60 GB (optional CFC at 1GB, 2GB, 4GB or 8 GB)
Additional Drives	Compact Flash Reader, SD Reader
Interfaces	
LAN/Ethernet	2 x 10 / 100 / 1000 Mbps (ext)
USB	4 x USB 2.0 (2x front accessible, 2x ext)
Serial Interface	1 x RS232 / 422 / 485 on DB9 (ext)
Keyboard/Mouse	no PS/2
Video	1 x analogue video input
Multimedia	Realtek AC'97 Codec, Line-in/line-out on spring terminal
Other Interfaces	8 bit Digital I/O GPIO on spring terminal
Watchdog Functions	
CPU Temperature	Surveillance onboard
Ambient Conditions	
Vibration resistance	15G
Shock resistance	50G
EMC	EN 55011, 55022, 500081
Temperature	+5°C to +45°C max.
Relative humidity	5% to 80% at 25°C (no humidity/condense)
Authorization	CE
Mechanical Characteristics	
PC Unit	Stainless Steel



Front Unit		
Display diagonal size	15,6"	18,5"
	39,6 cm	47 cm
Resolution	1366x768	
Luminosity [cd/m ²]	300	
Contrast Ratio	500:1	1000:1
MTBF backlight [h]	50.000	
Input	Resistive Touchscreen, 6-wire technology, Multitouch available	Resistive Touchscreen, 6-wire technology
Touchcontroller	USB	
Front	Alloy anodised, chemical resistant polyester foil	
Rating	IP65 according EN 60529	
Dimensions [mm]		
a:	467,2	557,2
b:	294,5	333,5
c:	70	70
d:	449	538
e:	276	315
Weight	ca 10 kg	ca 13 kg



¹ warranty ex works, normally 24 months, fixed at order.
All data refer on print date, errors and changes excepted

Highlights

- Ultra LOW power requirements
- HIGH performance
- Intel ATOM processor
- 1 miniPCIe slot
- Fanless, passive air conduction
- Extra Low mounting depth
- High power efficiency
- High performance
- DUAL Gigabit LAN
- Wide Screen Display
- Multitouch Available



DSw680 Configuration

Monitor	1	2	3	4	5	6	7	8
39,6 cm 15,6" TFT Display, 1366x768 Pixel	2							
39,6 cm 15,6" TFT Display, 1366x768 Pixel, Multitouch ²	3							
46,9 cm 18,5" TFT Display, 1366x768 Pixel ³	4							
Processor		2						
Intel® Atom™ Processor N450 1.66GHz								
Memory			4					
1 GB			5					
2 GB								
Storage				1				
HDD 2.5" min 60 GB				4				
Industrial CFC 1 GB				5				
Industrial CFC 2 GB				6				
Industrial CFC 4 GB				7				
Industrial CFC 8 GB				8				
Industrial CFC 16 GB				9				
Industrial CFC 32 GB MLC								
Drives						1		
CFC-Adapter + SD Adapter								
Power							1	
110/230 VAC, auto-switch fanless							2	
24 VDC fanless								
Front and mounting direction								0
DIVUS foil - landscape mounting								1
neutral, 1 colors - landscape mounting								2
customized ¹ - landscape mounting								3
DIVUS foil - portrait mounting								4
neutral, 1 colors - portrait mounting								5
customized ¹ - portrait mounting								
Operating system								A
Microsoft Windows 2000 Prof. MUI								L
Microsoft Windows XP Prof. MUI								M
Microsoft Windows 7 Prof. English ²								O
Microsoft Windows 7 Ult. MUI ²								0
No operating System								

Your order code: **DSw680**



¹ Frontfoil: min. delivery 25 pcs
² Multitouch requires Windows 7
³ Minimum order quantity: 10 pcs