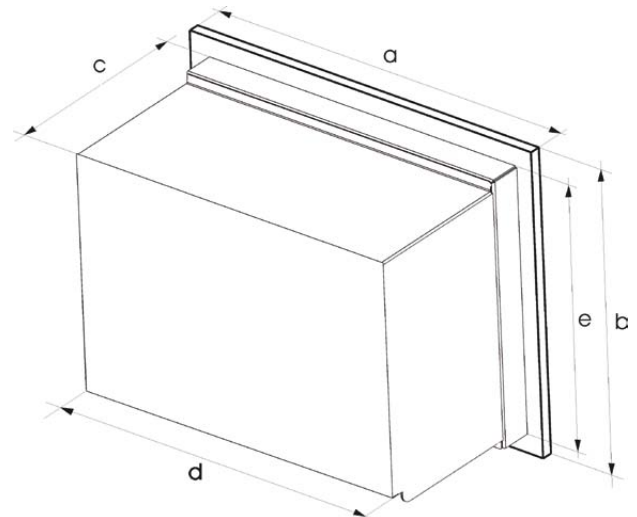


Technical Data

DL 75	
Product Type	Compact Panel PC
General characteristics	
Processor	- Intel® Celeron, 2.6GHz, FSB 400MHz; Socket 478 - Intel® Pentium4, 2.4 GHz, FSB 533 MHz; Socket 478
Chipset	Intel® FW82845GV GMCH/FW82801DB ICH4
Memory	512MB to 2GB DDR SDRAM
Expansion slots	3 PCI 2.2 compatible Slots
Operating systems	Microsoft Windows 2000/XP, Linux, NT 4.0
Power Supply	90 - 264 VAC, overload protection, short circuit protection, over voltage protection 24VDC optional
Nominal Power	300 W active PFC power supply, efficiency ≥ 75 %
Guarantee	24 Months ¹
Drives	
Mass Memory	2,5" HDD at 60 GB (optional RAID system)
Optical Drives	CD-Rom or optional DVD/CD-RW drive, rear side operation
Additional Drives	Floppy, rear side operation
Interfaces	
LAN/Ethernet	1 x RJ45 / IEEE 802.3 compatible , Realtek RTL8101L
USB	5 x USB 2.0 (2 x ext., 3 x int.)
Serial Interface	2 x RS232 (1 x ext., 1 x int.)
Parallel Interface	1 x LPT1 (EPP/ECP)
Keyboard/Mouse	2 x PS/2
Video	Intel® Extreme Graphics controller
Multimedia	Mic in, Line in, CD Audio in, Line out / Intel® ICH4
Watchdog functions	
CPU Temperature	Surveillance onboard
Fan rotation	Surveillance onboard
Ambient Conditions	
Vibration resistance	0,67G (5-500MHz)
Shock resistance	300G/2ms
EMC	EN 55011, 55022, 500081
Temperature	+5°C to +45°C max.
Relative humidity	5% to 80% at 25°C (no humidity/condense)
Authorization	CE
Mechanical Characteristics	
PC Unit	Powder coated, EMC proofed



Front Unit				
Display diagonal size	12"	15"	19"	21"
	30,5 cm	38,1 cm	48,3 cm	54,1 cm
Resolution	800x600	1024x768	1280x1024	1600x1200
Luminosity [cd/m ²]	400	430	300	250
Contrast Ratio	500:1	450:1	800:1	500:1
MTBF backlight [h]	50.000			
Input	Resistive Touchscreen, 6-wire technology			
Touchcontroller	Alternatively USB or RS232			
Front	Alloy anodised, chemical resistant polyester foil			
Rating	IP65 according EN 60529			
Dimensions [mm]				
a:	400	472	540	
b:	310	383	440	
c:	200	205	220	
d:	370	440	509	
e:	290	363	406	
Weight	ca. 10 kg	ca. 13 kg	ca. 15 kg	



¹ warranty ex works, normally 24 months, fixed at order.
All data refer on print date, errors and changes excepted

Highlights

- Long term availability
- 4 Slots
- High Performance
- High configuration flexibility
- High grade industrial components



DL 75 Configuration

	1	2	3	4	5	6	7	8	
Monitor									
30,5 cm 12" TFT Display, 800x600 Pixel	1								
38,1 cm 15" TFT Display, 1024x768 Pixel	2								
48,3 cm 19" TFT Display, 1280x1024 Pixel	4								
54,1 cm 21" TFT Display, 1600x1200 Pixel	5								
Processor									
Celeron 2,6 GHz, P4 Board 3 PCI Slots			3						
Pentium 4 2,4 GHz, P4 Board 3 PCI Slots			4						
Memory									
512 MB			3						
1 GB			4						
2 GB			5						
Drives									
CD ROM, slim Drive						1			
COMBO DVD/CD ROM R/W, slim Drive						2			
Storage									
2.5" no FD Drive, standard configuration							2		
2.5" with FD Drive, option							3		
Power									
110/230 VAC, auto-switch								1	
24VDC, option								2	
Front									
DIVUS foil									0
neutral, 1 colors									1
customized ¹									2
Operating system									
Microsoft Windows 2000 Prof. MUI									A
Microsoft Windows XP Prof. MUI									L
Microsoft Windows NT 4.0									N
Preinstalled LINUX									X
No operating System									0

Your order code: **DL 75**



¹ Frontfoil: min. delivery 25 pcs

Optional

V₂A Stainless steel front available on 15" and 19" panels

