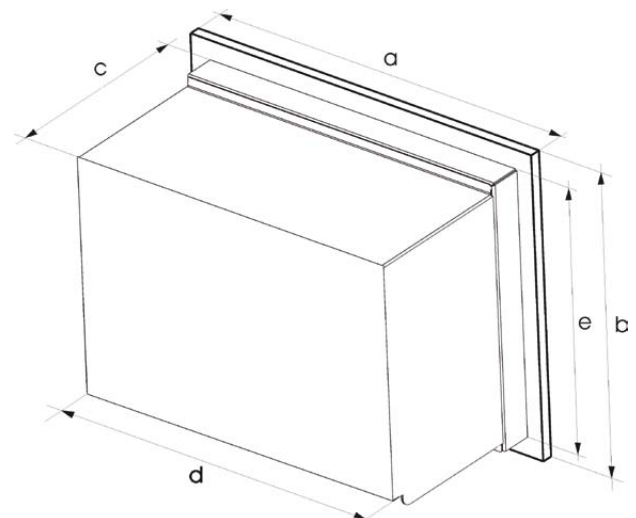


## Technical Data

DL 70	
Product Type	Compact Panel PC
General characteristics	
Processor	- Intel® Celeron - Intel® Pentium dual Core - Intel® Core 2 Duo
Chipset	VIA P4M900 + VT8237A
Memory	512 MB to 2GB DDR2 RAM
Expansion slots	1 x PCIe x16, 1 x PCIe x1, 2 x PCI
Operating systems	Microsoft Windows 2000/XP/7
Power Supply	90 - 264 VAC, overload protection, short circuit protection, over voltage protection 24VDC optional
Nominal Power	300 W active PFC power supply, efficiency ≥ 75 %
Guarantee	24 Months <sup>1</sup>
Drives	
Mass Memory	2,5" HDD at 60 GB (optional RAID system)
Optical Drives	CD-Rom or optional DVD/CD-RW drive, rear side operation
Additional Drives	Floppy, rear side operation
Interfaces	
LAN/Ethernet	onboard Realtek RTL8201CL
USB	5 x USB 2.0 (2 x external, 3 x internal)
Serial Interface	2 x RS232 (1x int, 1x ext)
Parallel Interface	1 x LPT1 (EPP/ECP)
Keyboard/Mouse	2 x PS/2
Multimedia	7.1 channel Audio ALC883
Watchdog functions	
CPU Temperature	Surveillance onboard
Fan rotation	Surveillance onboard
Ambient Conditions	
Vibration resistance	0,67G (5-500MHz)
Shock resistance	300G/2ms
EMC	EN 55011, 55022, 500081
Temperature	+5°C to +45°C max.
Relative humidity	5% to 80% at 25°C (no humidity/condense)
Authorization	CE
Mechanical Characteristics	
PC Unit	Powder coated, EMC proofed



Front Unit				
Display diagonal size	12"	15"	19"	21"
	30,5 cm	38,1 cm	48,3 cm	54,1 cm
Resolution	800x600	1024x768	1280x1024	1600x1200
Luminosity [cd/m <sup>2</sup> ]	400	430	300	250
Contrast Ratio	500:1	450:1	800:1	500:1
MTBF backlight [h]	50.000			
Input	Resistive Touchscreen, 6-wire technology			
Touchcontroller	Alternatively USB or RS232			
Front	Alloy anodised, chemical resistant polyester foil			
Rating	IP65 according EN 60529			
Dimensions [mm]				
a:	400	472	540	
b:	310	383	440	
c:	200	205	220	
d:	370	440	509	
e:	290	363	406	
Weight	ca. 10 kg	ca. 13 kg	ca. 15 kg	



<sup>1</sup> warranty ex works, normally 24 months, fixed at order.  
All data refer on print date, errors and changes excepted

**Highlights**

- 4 Slots
- SATA RAID 0, 1, JBOD possible
- High Performance
- FSB up to 1066 MHz
- High configuration flexibility
- Intel® Core™2 Duo, Pentium® D, Pentium® 4, Celeron® D processors



**DL 70 Configuration**

	1	2	3	4	5	6	7	8	
<b>Monitor</b>									
30,5 cm 12" TFT Display, 800x600 Pixel	1								
38,1 cm 15" TFT Display, 1024x768 Pixel	2								
48,3 cm 19" TFT Display, 1280x1024 Pixel	4								
54,1 cm 21" TFT Display, 1600x1200 Pixel	5								
<b>Processor</b>									
Celeron 1000MHz PIII Board, 3 PCI									
Celeron, LGA775, 2 PCI Slots, 2 PCIe Slots									
Pentium dual Core LGA775, 2 PCI Slots, 2 PCIe Slots									
Intel® Core 2 Duo, 2 PCI Slots, 2 PCIe Slots									
<b>Memory</b>									
512 MB									
1 GB									
2 GB									
<b>Drives</b>									
CD ROM, slim Drive									
COMBO DVD/CD ROM R/W, slim Drive									
<b>Storage</b>									
2.5" no FD Drive, standard configuration									
2.5" with FD Drive, option									
<b>Power</b>									
110/230 VAC, auto-switch									
24VDC, option									
<b>Front</b>									
DIVUS foil									
neutral, 1 colors									
customized <sup>1</sup>									
<b>Operating system</b>									
Microsoft Windows 2000 Prof. MUI									
Microsoft Windows XP Prof. MUI									
Microsoft Windows 7 Prof. English									
Microsoft Windows 7 Ult. MUI									
No operating System									

Your order code: **DL 70**



**NOTES:**  
<sup>1</sup> Frontfoil: min. delivery 25 pcs

**Optional**

**V<sub>2</sub>A** Stainless steel front available on 15" and 19" panels

