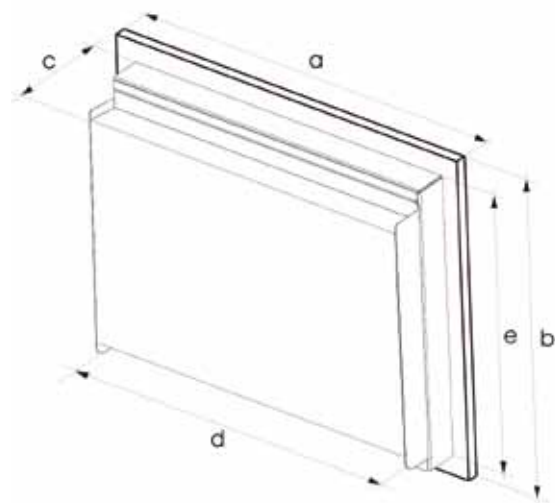


Technical Data

DE 871		
Product Type	Compact Panel PC	
General characteristics		
Processor	- Intel® Celeron M 600MHz ULV fanless	Intel® mobile Core™ i5/i3 fan
Chipset	Intel® 82852GM GMCH + 82801DB ICH4	Intel® HM55
Memory	512MB to 1GB DDR RAM	1GB to 4GB DDR 3 RAM
Expansion slots	2 PCI-Slot	1 PCIe x 16 slot 1 PCIe Minicard slot
Operating systems	Windows XP embedded Windows Embedded Standard	Windows XP embedded, WE7
Power Supply	90 - 264 VAC auto range 24VDC optional ¹	
Nominal Power	100 W, efficiency up to 88%	
Guarantee	24 Months ²	
Drives		
Mass Memory	DOM (Disk On Module) at 512MB (1, 2, 4 and 8GB optional)	
Optical Drives	optional CD-Rom or DVD/CD-RW drive, rear side operation	
Additional Drives	Compact Flash Reader, optional	
Interfaces		
LAN/Ethernet	2 x RJ45 for 10/100 Mbps	Dual PCIe GbE controller
USB	5 x USB 2.0 (4 x external, 1 x internal)	
Serial Interface	3 x RS232 (3xext), 1 x RS- 232/422/485 (1xint); 8-bit Digital I/O interface	1 x RS232 (ext), 1 x RS -232/422/485 (int)
Keyboard/Mouse	2 x PS/2	-
Display	1 free VGA port (dual display architecture)	
Multimedia	Mic in, Line out	
Watchdog Functions		
CPU Temperature	Surveillance onboard, auto throttling control when CPU overheats	
Ambient Conditions		
Vibration resistance	15G	
Shock resistance	50G	
EMC	EN 55011, 55022, 500081	
Temperature	+5°C to +45°C max.	
Relative humidity	5% to 80% at 25°C (no humidity/condense)	
Authorization	CE	
Mechanical Characteristics		
PC Unit	Powder coated, EMC proofed	



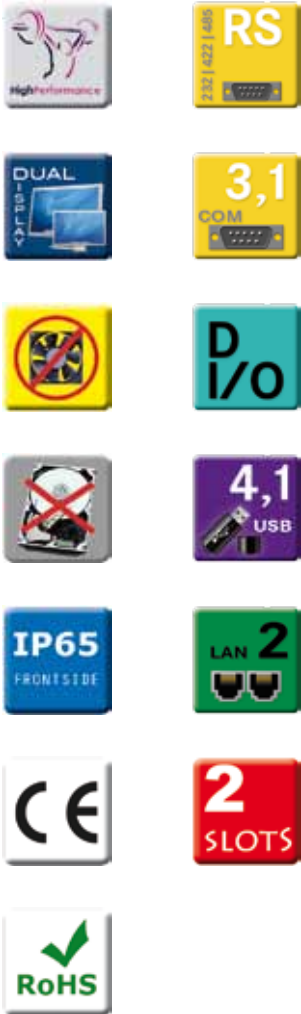
Front Unit				
Display diagonal size	12"	15"	19"	21"
	30,5 cm	38,1 cm	48,3 cm	54,1 cm
Resolution	800x600	1024x768	1280x1024	1600x1200
Luminosity [cd/m²]	400	430	300	250
Contrast Ratio	500:1	450:1	800:1	500:1
MTBF backlight [h]	50.000			
Input	Resistive Touchscreen, 6-wire technology			
Touchcontroller	Alternatively USB or RS232			
Front	Alloy anodised, chemical resistant polyester foil			
Rating	IP65 according EN 60529			
Dimensions [mm]				
a:	400	472	540	
b:	310	383	440	
c:	115	120	135	
d:	370	440	509	
e:	290	363	406	
Weight	ca. 10 kg	ca. 13kg	ca. 15kg	



¹ 21" version only for 230V, required power + 30W
² warranty ex works, normally 24 months, fixed at order.
 All data refer on print date, errors and changes excepted

Highlights

- 2 PCI Slots
- Fanless, passive air conduction
- Motionless, no moving parts
- Intel® ULV processor, Intel® i3/i5 mobile possible
- Low mounting depth
- High power efficiency
- High performance
- Dual display architecture
- Dual LAN



DE 871 Configuration

	1	2	3	4	5	6	7	8
Monitor								
30,5 cm 12" TFT Display, 800x600 Pixel	1							
38,1 cm 15" TFT Display, 1024x768 Pixel	2							
48,3 cm 19" TFT Display, 1280x1024 Pixel	4							
54,1 cm 21" TFT Display, 1600x1200 Pixel	5							
Processor								
ULV Celeron M ≥600MHz fanless	1							
Intel® mobile Core™ i3 fan	5							
Intel® mobile Core™ i5 fan	6							
Memory								
1 GB			4					
2 GB ¹			5					
4 GB ¹			6					
Storage								
DiscOnModule 1 GB				4				
DiscOnModule 2 GB				5				
DiscOnModule 4 GB				6				
DiscOnModule 8 GB				7				
SSD MLC 40 GB ⁵				x				
Drives								
No drives					0			
CFC-Adapter					1			
CD ROM, slim Drive					2			
COMBO DVD/CD ROM R/W, slim Drive					3			
CD ROM, slim Drive+CFC-Adapter					4			
COMBO DVD/CD ROM R/W, slim Drive + CFC-Adapter					5			
Power								
110/230 VAC, auto-switch fanless						1		
24 VDC fanless						2		
Front								
DIVUS foil							0	
neutral, 1 colors							1	
customized ²							2	
Operating system								
Microsoft Windows XP Embedded / WES 2009								S
Microsoft WE7E English ^{4,1}								T
Microsoft WE7P MUJ ^{4,1}								U
Microsoft WE8S ¹								V

Your order code: **DE 871**



¹ Only with i3/i5 board
² Frontfoil: min. delivery 25 pcs
³ With Celeron M CPU
⁴ Windows Embedded Standard requires 1 GB memory
⁵ SLC Drive on request

Optional

V₂A Stainless steel front available on 15" and 19" panels