

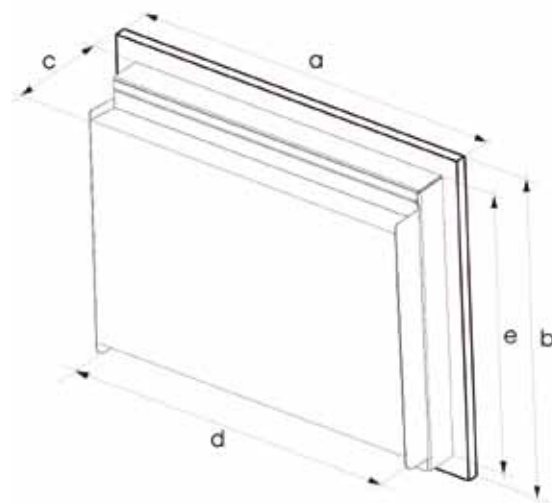
Technical Data

DE 850	
Product Type	Compact embedded Panel PC
General characteristics	
Processor	VIA C7 1GHz fanless
Chipset	VIA CN700 + 8237R plus
Memory	512MB to 1GB DDR2 RAM
Expansion slots	1 PCI-Slot
Operating systems	Microsoft Windows XP embedded
Power Supply	90 - 260 VAC fanless
	24 VDC fanless optional ¹
Power consumption	35 W with 15" Display
Guarantee	24 Months ²
Drives	
Mass Memory	DOM (Disk On Module) to 512MB (1, 2, 4 and 8GB optional)
Additional Drives	Compact Flash Reader, optional
Interfaces	
LAN/Ethernet	onboard
USB	7 x USB 2.0 (4 x ext, 3 x int)
Serial Interface	2 x RS232 (1 x external, 1 x internal)
Parallel Interface	1 x LPT1 (EPP/ECP/SPP)
Keyboard/Mouse	2 x PS/2
Multimedia	6 channel audio (ext)
Other Interfaces	2 SATA ports (int.)
Watchdog Functions	
CPU Temperature	Surveillance onboard
Ambient Conditions	
Vibration resistance	15G
Shock resistance	50G
EMC	EN 55011, 55022, 500081
Temperature	+5°C to +45°C max.
Relative humidity	5% to 80% at 25°C (no humidity/condense)
Authorization	CE
Mechanical Characteristics	
PC Unit	Powder coated, EMC proofed

¹ 21" version only for 230V, required power + 30W
² warranty ex works, normally 24 months, fixed at order.
 All data refer on print date, errors and changes excepted



Front Unit					
Display diagonal size	12"	15"	17"	19"	21"
	30,5 cm	38,1 cm	43,2 cm	48,3 cm	54,1 cm
Resolution	800x600	1024x768	1280x1024		1600x1200
Luminosity [cd/m ²]	400	430	300		250
Contrast Ratio	500:1	450:1	700:1	800:1	500:1
MTBF backlight [h]	50.000				
Input	Resistive Touchscreen, 6-wire technology				
Touchcontroller	Alternatively USB or RS232				
Front	Alloy anodised, chemical resistant polyester foil				
Rating	IP65 according EN 60529				
Dimensions [mm]					
a:	400	460	472	540	
b:	310	360	383	440	
c:	90	95		110	
d:	370	429	440	509	
e:	290	337	363	406	
Weight	ca. 10 kg	ca. 12kg	ca. 13kg	ca. 15kg	



Highlights

- Low mounting depth
- Low power requirements
- VIA C7 processors
- Fanless, passive air conduction
- Motionless, no moving parts



DE 850 Configuration

	1	2	3	4	5	6	7	8
Monitor								
30,5 cm 12" TFT Display, 800x600 Pixel	1							
38,1 cm 15" TFT Display, 1024x768 Pixel	2							
43,2 cm 17" TFT Display, 1280x1024 Pixel	3							
48,3 cm 19" TFT Display, 1280x1024 Pixel	4							
54,1 cm 21" TFT Display, 1600x1200 Pixel	5							
Processor								
VIA Tech C7 1 GHz fanless		2						
Memory								
512 MB			3					
1 GB			4					
Storage								
DiscOnModule 512 MB				3				
DiscOnModule 1 GB				4				
DiscOnModule 2 GB				5				
DiscOnModule 4 GB				6				
DiscOnModule 8 GB				7				
Drives								
No drives						0		
CFC-Adapter						1		
Power								
110/230 VAC, auto-switch fan							1	
24VDC fan							2	
110/230 VAC, auto-switch fanless							3	
24VDC fanless							4	
Front								
DIVUS foil								0
neutral, 1 colors								1
customized ¹								2
Operating system								
Microsoft Windows XP Embedded								S
Your order code: DE 850								

¹ Frontfoil: min. delivery 25 pcs

Optional

V₂A Stainless steel front available on 15" and 19" panels

