

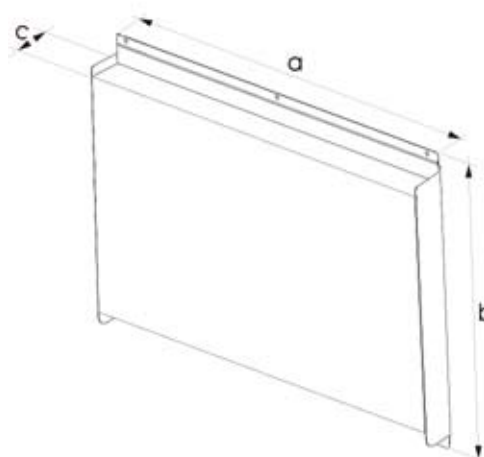
## Technical Data

<b>DB 872</b>	
Product Type	Compact embedded box PC
<b>General characteristics</b>	
Processor	Intel® Core™ Duo 1.66GHz, 2MB L2 cache, processor T2300E
Chipset	Intel® 945GM+ICH7M
Memory	2GB DDR2 RAM
Expansion slots	1 PCI-Slot (for small PCI cards)
Operating systems	Microsoft Windows XP embedded, Windows Embedded Standard
Power Supply	90 - 260 VAC fanless external
	10 - 36 VDC fanless external optional
Power consumption	45 W fanless
Guarantee	24 Months <sup>1</sup>
<b>Drives</b>	
Mass Memory	SSD to 1, 2 or 4 GB
Additional Drives	Compact Flash Reader
<b>Interfaces</b>	
LAN/Ethernet	2 x PCIe Broadcom Gigabit Ethernet
USB	4 x USB 2.0 (4 x ext)
Serial Interface	4 x RS232 (4 x ext)
Keyboard/Mouse	2 x PS/2
Video	1 x VGA Port Intel® Graphics Media Accelerator 950 (Intel® GMA 950)
Multimedia	6 channel audio (ext)
Other Interfaces	CF reader external
<b>Watchdog Functions</b>	
CPU Temperature	Surveillance onboard
<b>Ambient Conditions</b>	
Vibration resistance	15G
Shock resistance	50G
EMC	EN 55011, 55022, 500081
Temperature	+5°C to +45°C max.
Relative humidity	5% to 80% at 25°C (no humidity/condense)
Authorization	CE
<b>Mechanical Characteristics</b>	
PC Unit	alloy anodized, EMC proofed

<sup>1</sup> warranty ex works, normally 24 months, fixed at order.  
All data refer on print date, errors and changes excepted



Dimensions [mm]	
a:	242
b:	210
c:	105
Weight	ca. 7 kg



### Highlights

- 1 PCI slot
- Low mounting depth
- Low power requirements
- High fanless performance with CoreDuo processor
- Fanless, passive air conduction
- Motionless, no moving parts
- Optional with 15" or 19" display



### DB 872 Configuration

	1	2	3	4	5	6	7	8
Monitor								
no configuration		0						
Processor								
Intel® Core™ Duo 1.66GHz		2						
Memory								
2 GB					5			
Storage								
SSD 1 GB						4		
SSD 2 GB						5		
SSD 4 GB						6		
Drives								
CFC-Adapter								1
Power								
110/230 VAC, auto-switch fanless external								1
9 - 28 VDC fanless external								2
Front								
no configuration								0
Operating system								
Microsoft Windows XP Embedded								S
Windows Embedded Standard								T

Your order code: **DB 872**

