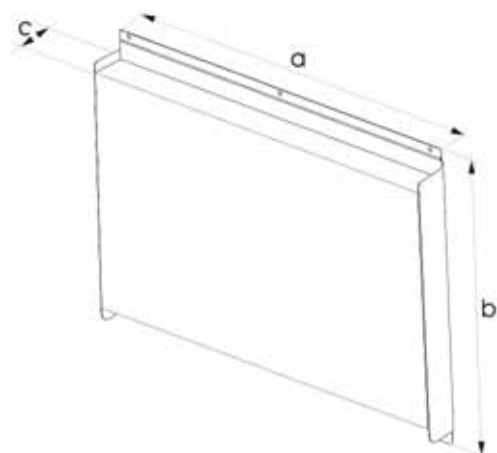


Technical Data

DB 870		
Product Type	Compact embedded box PC	
General characteristics		
Processor	- Intel® Celeron M 600MHz ULV fanless	Intel® mobile Core™ i5/i3 fan
Chipset	Intel® 82852GM GMCH + 82801DB ICH4	Intel® HM55
Memory	1GB DDR RAM	1GB to 4GB DDR 3 RAM
Expansion slots	1 PCI-Slot	1 PCIe x 16 slot 1 PCIe Minicard slot
Operating systems	Windows XP embedded Windows Embedded Standard	Windows XP embedded, WE7
Power Supply	90 - 264 VAC auto range 24VDC optional ¹	
Power consumption	25 W	
Guarantee	24 Months ¹	
Drives		
Mass Memory	DOM (Disk On Module) at 512MB (1, 2, 4 and 8GB optional)	
Additional Drives	Compact Flash Reader, optional	
Interfaces		
LAN/Ethernet	2 x RJ45 for 10/100 Mbps	Dual PCIe GbE controller
USB	5 x USB 2.0 (4 x external, 1 x internal)	
Serial Interface	3 x RS232 (3xext), 1 x RS- 232/422/485 (1xint); 8-bit Digital I/O interface	1 x RS232 (ext), 1 x RS- 232/422/485 (int)
Keyboard/Mouse	2 x PS/2	-
Display	1 free VGA port (dual display architecture)	
Multimedia	Mic in, Line out	
Watchdog Functions		
CPU Temperature	Surveillance onboard, auto throttling control when CPU overheats	
Ambient Conditions		
Vibration resistance	15G	
Shock resistance	50G	
EMC	EN 55011, 55022, 500081	
Temperature	+5°C to +45°C max.	
Relative humidity	5% to 80% at 25°C (no humidity/condense)	
Authorization	CE	
Mechanical Characteristics		
PC Unit	Powder coated, EMC proofed	



Dimensions [mm]	
a:	368
b:	289
c:	55
Weight	ca. 6 kg



¹ warranty ex works, normally 24 months, fixed at order.
All data refer on print date, errors and changes excepted

Highlights

- Fanless, passive air conduction
- Motionless, no moving parts
- Intel® ULV processor, Intel® i3/i5 mobile possible
- Low mounting depth
- High power efficiency
- High performance
- Dual LAN



DB 870 Configuration

	1	2	3	4	5	6	7	8
Monitor								
no configuration						0		
Processor								
ULV Celeron M ≥600MHz fanless								
Intel® mobile Core™ i3 fan					1			
Intel® mobile Core™ i5 fan					5			
					6			
Memory								
1 GB						4		
2 GB ¹						5		
4 GB ¹						6		
Storage								
DiscOnModule 1 GB							4	
DiscOnModule 2 GB							5	
DiscOnModule 4 GB							6	
DiscOnModule 8 GB							7	
SSD MLC 40 GB ³							x	
Drives								
No drives							0	
CFC-Adapter							1	
Power								
110/230 VAC, auto-switch fanless							1	
24 VDC fanless							2	
Front								
no configuration								0
Operating system								
Microsoft Windows XP Embedded / WES 2009								S
Microsoft WE7E English ²								T
Microsoft WE7P MU ²								U

Your order code: **DB 870**



¹ only with i3/i5 board
² Windows Embedded Standard requires 1 GB memory
³ SLC Drive available upon request