

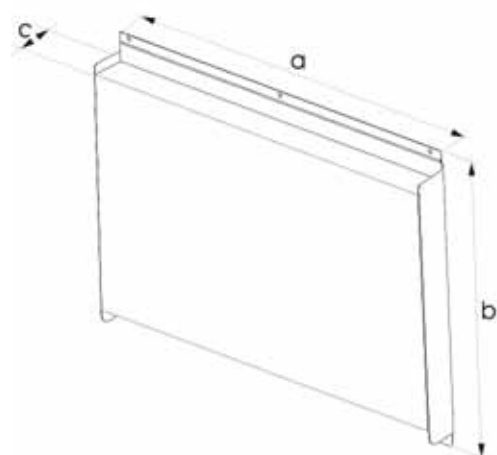
Technical Data

DB 851	
Product Type	Compact embedded box PC
General characteristics	
Processor	VIA C7 1GHz fanless
Chipset	VIA CN700 + 8237R plus
Memory	512MB to 1GB DDR2 RAM
Expansion slots	2 PCI Slots
Operating systems	Microsoft Windows XP embedded
Power Supply	90 - 260 VAC fanless
	24 VDC fanless optional
Power consumption	20 W
Guarantee	24 Months ¹
Drives	
Mass Memory	DOM (Disk On Module) to 512MB (1, 2, 4 and 8GB optional)
Optical Drives	optional CD-Rom or DVD/CD-RW drive, rear side operation
Additional Drives	Compact Flash Reader, optional
Interfaces	
LAN/Ethernet	onboard
USB	8 x USB 2.0 (4 x ext, 4 x int)
Serial Interface	2 x RS232 (1 x external, 1 x internal)
Parallel Interface	1 x LPT1 (EPP/ECP/SPP)
Keyboard/Mouse	2 x PS/2
Video	1 x VGA Port
Multimedia	6 channel audio (ext)
Other Interfaces	2 SATA ports (int.)
Watchdog Functions	
CPU Temperature	Surveillance onboard
Ambient Conditions	
Vibration resistance	15G
Shock resistance	50G
EMC	EN 55011, 55022, 500081
Temperature	+5°C to +45°C max.
Relative humidity	5% to 80% at 25°C (no humidity/condense)
Authorization	CE
Mechanical Characteristics	
PC Unit	Powder coated, EMC proofed

¹ warranty ex works, normally 24 months, fixed at order.
All data refer on print date, errors and changes excepted



Dimensions [mm]	
a:	368
b:	289
c:	80
Weight	ca. 6 kg



Highlights

- 2 PCI slots
- CD/DVD drive available
- Low mounting depth
- Low power requirements
- VIA C7 processors
- Fanless, passive air conduction
- Motionless, no moving parts
- LookIn Display available



DB 851 Configuration

	1	2	3	4	5	6	7	8
Monitor								
no configuration								
LookIn Display								
Processor								
VIA Tech C7 1 GHz fanless		2						
Memory								
512 MB			3					
1 GB			4					
Storage								
DiscOnModule 512 MB				3				
DiscOnModule 1 GB				4				
DiscOnModule 2 GB				5				
DiscOnModule 4 GB				6				
DiscOnModule 8 GB				7				
Drives								
No drives							0	
CFC-Adapter							1	
CD ROM, slim Drive							2	
COMBO DVD/CD ROM R/W, slim Drive							3	
CD ROM, slim Drive+CFC-Adapter							4	
COMBO DVD/CD ROM R/W, slim Drive + CFC-Adapter							5	
Power								
110/230 VAC, auto-switch fan								1
24 VDC fan								2
110/230 VAC, auto-switch fanless								3
24 VDC fanless								4
Front								
no configuration								0
Operating system								
Microsoft Windows XP Embedded								S

Your order code: **DB 851**



LookIn Display is situated on the top of the box and allows to check the status and control the settings of your DIVUS BOX PC. View CPU performance, change IP settings and more on the fly without a monitor, keyboard or mouse attached.