

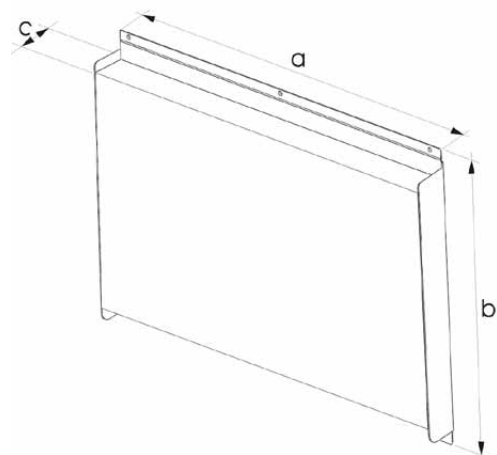
Technical Data

DB 830	
Product Type	Ultracompact embedded BOX PC
General characteristics	
Processor	Onboard AMD Geode™ 500MHz (LX800)
Chipset	AMD CS5536
Memory	128MB DDR SO-DIMM
Operating systems	Microsoft Windows CE 5.0 / XP-Embedded
Power Supply	230 VAC
	24 VDC optional
Power consumption	15 W
Guarantee	24 Months ¹
Drives	
Mass Memory	DOM (Disk On Module) up to 8GB
Additional Drives	Type II CF (int), PCMCIA (ext)
Interfaces	
LAN/Ethernet	10/100Mbps (ext)
USB	3 x USB 2.0 (ext)
Serial Interface	2 x RS-232 (ext), Digital I/O (4-in/4-out) header on board
Parallel Interface	1 x LPT header on board
Keyboard/Mouse	1 x PS/2 for KB and Mouse (ext)
Video	1 x VGA port
Multimedia	Realtek ALC203 AC97 audio codec, header on board
Watchdog Functions	
CPU Temperature	Surveillance onboard
Ambient Conditions	
Vibration resistance	15G
Shock resistance	50G
EMC	EN 55011, 55022, 500081
Temperature	+5°C to +45°C max.
Relative humidity	5% to 80% at 25°C (no humidity/condense)
Authorization	CE
Mechanical Characteristics	
PC Unit	High-grade steel, EMC proofed

¹ warranty ex works, normally 24 months, fixed at order.
 DIN rail fixing set available
 All data refer on print date, errors and changes excepted.



Dimensions [mm]	
a:	288
b:	155
c:	53
Weight	ca. 3 kg



Highlights

- High reliability
- DIN rail mounting kit available
- Ultra compact dimensions
- Low mounting depth
- Very low power requirements
- AMD Geode™ processors
- Embedded system
- Extreme high stability of operating system



DB 830 Configuration

	1	2	3	4	5	6	7	8
Monitor								
no configuration	0							
Processor								
AMD Geode 500MHz (LX800)	1							
Memory								
256 MB		2						
512 MB		3						
1 GB		4						
Storage								
DiscOnModule 32 MB							1	
DiscOnModule 64 MB							2	
DiscOnModule 512 MB							3	
DiscOnModule 1 GB							4	
DiscOnModule 2 GB							5	
DiscOnModule 4 GB							6	
DiscOnModule 8 GB							7	
Drives								
CFC-Adapter							1	
Power								
110/230 VAC, auto-switch fanless							1	
24 VDC fanless							2	
Front								
no configuration								0
Operating system								
Microsoft Windows CE 5.0								R
Microsoft Windows XP Embedded ¹								S
Your order code: DB 830								

¹ Microsoft Windows XP-Embedded requires 512 MB Memory