

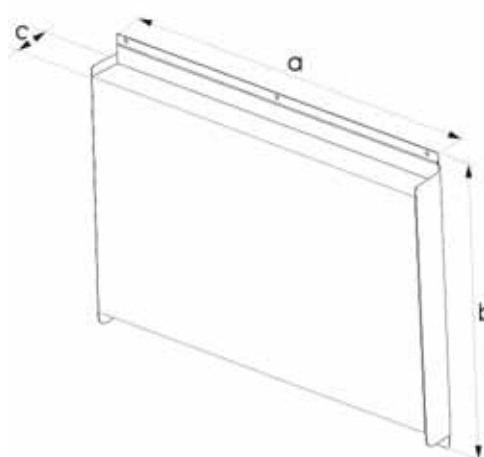
## Technical Data

<b>DB 800</b>	
Product Type	Compact embedded box PC
<b>General characteristics</b>	
Processor	VIA Eden 533 MHz fanless
Chipset	VIA 8601A + VT8231
Memory	128MB SDRAM
Operating systems	Microsoft Windows CE.net or CE 5.0
Power Supply	90 - 260 VAC fanless
	24 VDC fanless optional
Power consumption	18 W
Guarantee	24 Months <sup>1</sup>
<b>Drives</b>	
Mass Memory	DOM (Disk On Module) to 32MB
Additional Drives	Optional: CF Card Reader inclusive CFC
<b>Interfaces</b>	
LAN/Ethernet	onboard
USB	4 x USB 1.1 (2 x external, 2 x internal)
Serial Interface	1 x RS232 (1 x external)
Parallel Interface	1 x LPT1 (EPP/ECP/SPP)
Keyboard/Mouse	2 x PS/2
Video	1 x VGA Port
Multimedia	Mic in, Line in/out
<b>Watchdog Functions</b>	
CPU Temperature	Surveillance onboard
<b>Ambient Conditions</b>	
Vibration resistance	15G
Shock resistance	50G
EMC	EN 55011, 55022, 500081
Temperature	+5°C to +45°C max.
Relative humidity	5% to 80% at 25°C (no humidity/condense)
Authorization	CE
<b>Mechanical Characteristics</b>	
PC Unit	Powder coated, EMC proofed

<sup>1</sup> warranty ex works, normally 24 months, fixed at order.  
All data refer on print date, errors and changes excepted



Dimensions [mm]	
a:	368
b:	289
c:	55
Weight	ca. 6 kg



**Highlights**

- High reliability
- Low mounting depth
- Low power requirements
- VIA Eden processors
- Embedded system
- Extreme high stability of operating system



**DB 800 Configuration**

	1	2	3	4	5	6	7	8
Monitor								
no configuration	0							
Processor								
VIA Tech EDEN 533MHz fanless	1							
Memory								
128 MB		1						
Storage								
no memory - Thin Client			0					
CF Card 32MB			1					
CF Card 64MB			2					
CF Card 128MB			3					
DOM 32MB			4					
DOM 64MB			5					
Drives								
No drives				0				
CFC-Adapter				1				
Power								
110/230 VAC, auto-switch fanless					1			
24VDC fanless					2			
Front								
no configuration							0	
Operating system								
Microsoft Windows CE.net or CE 5.0 <sup>1</sup>								R
Your order code: <b>DB 800</b>								

<sup>1</sup> Please specify operating system version on order