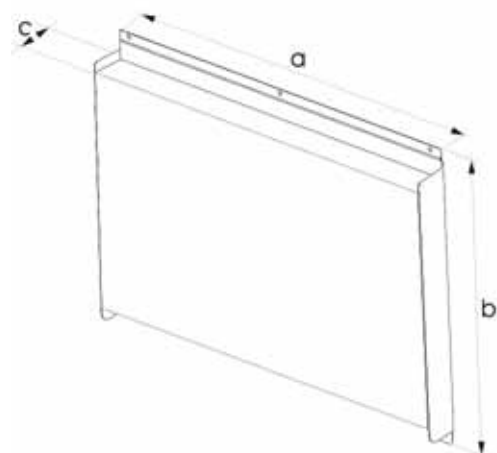


## Technical Data

DB 651	
Product Type	Compact box PC
General characteristics	
Processor	VIA C7 1GHz fanless
Chipset	VIA CN700 + 8237R plus
Memory	512MB to 1GB DDR2 RAM
Expansion slots	2 PCI-Slots
Operating systems	Microsoft Windows 2000/XP
Power Supply	230VAC with fan optional 230VAC fanless, 24 VDC fan/fanless
Nominal Power	85 W, efficiency > 74%
Guarantee	24 Months <sup>1</sup>
Drives	
Mass Memory	2,5" HDD at 60 GB (optional DiskOnModule at 512MB, 1GB, 2GB, 4GB or 8GB)
Optical Drives	optional CD-Rom or DVD/CD-RW drive, rear side operation
Interfaces	
LAN/Ethernet	onboard
USB	8 x USB 2.0 (4 x ext, 4 x int)
Serial Interface	2 x RS232 (1 x external, 1 x internal)
Parallel Interface	1 x LPT1 (EPP/ECP/SPP)
Keyboard/Mouse	2 x PS/2
Video	1 x VGA Port
Multimedia	6 channel audio (ext)
Other Interfaces	2 SATA ports (int.)
Watchdog Functions	
CPU Temperature	Surveillance onboard
Fan rotation	Surveillance onboard
Ambient Conditions	
Vibration resistance	0,67G (5-500Mhz)
Shock resistance	300G/2ms
EMC	EN 55011, 55022, 500081
Temperature	+5°C to +45°C max.
Relative humidity	5% to 80% at 25°C (no humidity/condense)
Authorization	CE
Mechanical Characteristics	
PC Unit	Powder coated, EMC proofed



Dimensions [mm]	
a:	368
b:	289
c:	80
Weight	ca. 6 kg



<sup>1</sup> warranty ex works, normally 24 months, fixed at order.  
All data refer on print date, errors and changes excepted

### Highlights

- 2 PCI slots
- CD/DVD drive available
- Low mounting depth
- Low power requirements
- VIA C7 processors
- LookIn Display available



### DB 651 Configuration

	1	2	3	4	5	6	7	8
<b>Monitor</b>								
no configuration								
LookIn Display								
<b>Processor</b>								
VIA Tech C7 1 GHz fanless		2						
<b>Memory</b>								
512 MB			3					
1 GB			4					
<b>Storage</b>								
HDD 2.5" min 60 GB					1			
DiscOnModule 512 MB					3			
DiscOnModule 1 GB					4			
DiscOnModule 2 GB					5			
DiscOnModule 4 GB					6			
DiscOnModule 8 GB					7			
<b>Drives</b>								
No drives							0	
CFC-Adapter							1	
CD ROM, slim Drive							2	
COMBO DVD/CD ROM R/W, slim Drive							3	
CD ROM, slim Drive+CFC-Adapter							4	
COMBO DVD/CD ROM R/W, slim Drive + CFC-Adapter							5	
<b>Power</b>								
110/230 VAC, auto-switch fan								1
24 VDC fan								2
110/230 VAC, auto-switch fanless								3
24 VDC fanless								4
<b>Front</b>								
no configuration								0
<b>Operating system</b>								
Microsoft Windows 2000 Prof. MUI								A
Microsoft Windows XP Prof. MUI								L
No operating System								0

Your order code: **DB 651**



<sup>1</sup> With VIA C7 CPU

LookIn Display is situated on the top of the box and allows to check the status and control the settings of your DIVUS BOX PC. View CPU performance, change IP settings and more on the fly without a monitor, keyboard or mouse attached.