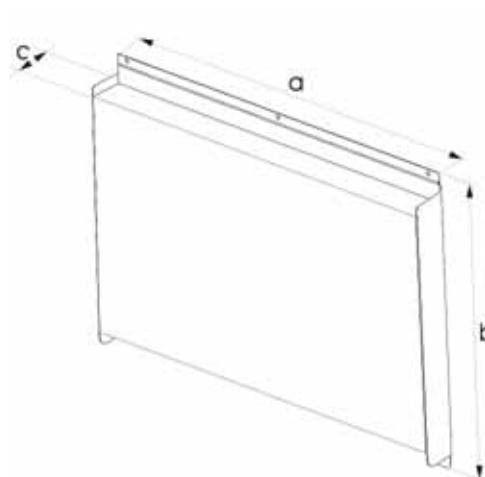


Technical Data

DB 650	
Product Type	Compact box PC
General characteristics	
Processor	VIA C7 1GHz fanless
Chipset	VIA CN700 + 8237R plus
Memory	512MB to 1GB DDR2 RAM
Expansion slots	1 PCI-Slot
Operating systems	Microsoft Windows 2000/XP
Power Supply	230VAC with fan optional 230VAC fanless, 24 VDC fan/fanless
Nominal Power	85 W, efficiency > 74%
Guarantee	24 Months ¹
Drives	
Mass Memory	2,5" HDD at 60 GB (optional DiskOnModule at 512MB, 1GB, 2GB, 4GB or 8GB)
Interfaces	
LAN/Ethernet	onboard
USB	8 x USB 2.0 (4 x ext, 4 x int)
Serial Interface	2 x RS232 (1 x external, 1 x internal)
Parallel Interface	1 x LPT1 (EPP/ECP/SPP)
Keyboard/Mouse	2 x PS/2
Video	1 x VGA Port
Multimedia	6 channel audio (ext)
Other Interfaces	2 SATA ports (int.)
Watchdog Functions	
CPU Temperature	Surveillance onboard
Fan rotation	Surveillance onboard
Ambient Conditions	
Vibration resistance	0,67G (5-500Mhz)
Shock resistance	300G/2ms
EMC	EN 55011, 55022, 500081
Temperature	+5°C to +45°C max.
Relative humidity	5% to 80% at 25°C (no humidity/condense)
Authorization	CE
Mechanical Characteristics	
PC Unit	Powder coated, EMC proofed



Dimensions [mm]	
a:	368
b:	289
c:	55
Weight	ca. 6 kg



¹ warranty ex works, normally 24 months, fixed at order.
All data refer on print date, errors and changes excepted

Highlights

- Low mounting depth
- Low power requirements
- VIA C7 processors



DB 650 Configuration

	1	2	3	4	5	6	7	8
Monitor								
no configuration		0						
Processor								
VIA Tech C7 1 GHz fanless		2						
Memory								
512 MB			3					
1 GB			4					
Storage								
HDD 2.5" min 60 GB				1				
DiscOnModule 512 MB				3				
DiscOnModule 1 GB				4				
DiscOnModule 2 GB				5				
DiscOnModule 4 GB				6				
DiscOnModule 8 GB				7				
Drives								
No drives						0		
CFC-Adapter						1		
Power								
110/230 VAC, auto-switch, fan							1	
24VDC fan							2	
110/230 VAC, auto-switch fanless							3	
24 VDC fanless							4	
Front								
no configuration								0
Operating system								
Microsoft Windows 2000 Prof. MUI								A
Microsoft Windows XP Prof. MUI								L
No operating System								0

Your order code: **DB 650**



¹ With VIA C7 CPU