

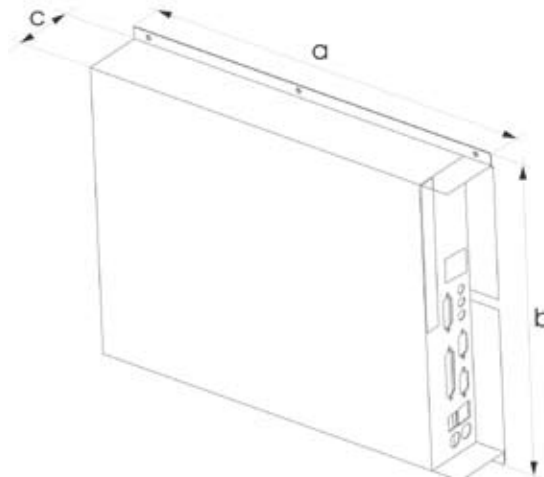
Technical Data

DB 600	
Product Type	Compact box PC
General characteristics	
Processor	Intel® Celeron >2,6GHz Intel® Pentium 4 > 2,0GHz
Chipset	Intel® FW82845GV GMCH/FW82801DB ICH4
Memory	256MB to 2GB DDR RAM
Expansion slots	1 PCI-Slot
Operating systems	Microsoft Windows 2000/XP, Linux
Power Supply	115/230 VAC switchable 24VDC optional
Nominal Power	220W
Guarantee	24 Months ¹
Drives	
Mass Memory	2,5" HDD at 60 GB
Optical Drives	optional CD-Rom or DVD/CD-RW drive, rear side operation
Additional Drives	Compact Flash reader optional
Interfaces	
LAN/Ethernet	onboard
USB	6 x USB 2.0 (2 x external, 4 x internal)
Serial Interface	2 x RS232 (1 x external, 1 x internal)
Parallel Interface	1 x LPT1 (EPP/ECC)
Keyboard/Mouse	2 x PS/2
Video	1 x VGA Port
Multimedia	Audio I/O, Microphone, MIDI
Watchdog Functions	
CPU Temperature	Surveillance onboard
Fan rotation	Surveillance onboard
Ambient Conditions	
Vibration resistance	0,67G (5-500Mhz)
Shock resistance	300G/2ms
EMC	EN 55011, 55022, 500081
Temperature	+5°C to +45°C max.
Relative humidity	5% to 80% at 25°C (no humidity/condense)
Authorization	CE
Mechanical Characteristics	
PC Unit	Powder coated, EMC proofed

¹ warranty ex works, normally 24 months, fixed at order.
All data refer on print date, errors and changes excepted



Dimensions [mm]	
a:	368
b:	289
c:	85
Weight	ca. 7 kg



Highlights

- Long term availability
- High performance
- Low mounting depth
- High configuration flexibility
- High grade industrial components



DB 600 Configuration

	1	2	3	4	5	6	7	8
Monitor								
no configuration		0						
Processor								
Celeron 2,6 GHz		1						
Pentium 4 >2,0 GHz		2						
Memory								
256 MB			2					
512 MB			3					
1 GB			4					
2 GB			5					
Drives								
CD ROM, slim Drive				1				
COMBO DVD/CD ROM R/W, slim Drive				2				
FD Drive eliminates PCI slot								
no FD Drive, 1 free PCI slot with 2.5" HDD					0			
with FD Drive, no PCI slot with 2.5" HDD					1			
Power								
230VAC							1	
110/230 VAC, auto-switch							2	
24VDC							3	
Front								
no configuration								0
Operating system								
Microsoft Windows 2000 Prof. MUI								A
Microsoft Windows XP Prof. MUI								L
Microsoft Windows NT 4.0								N
Preinstalled LINUX								X
No operating System								0

Your order code: **DB 600**

