

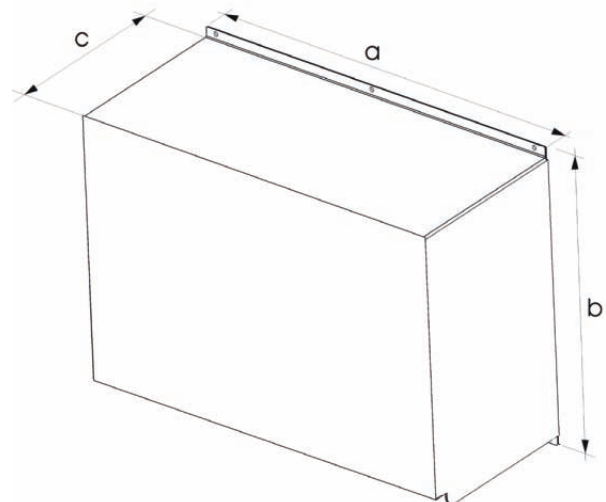
Technical Data

DB 100	
Product Type	Compact Box PC
General characteristics	
Processor	- Intel® Celeron - Intel® Pentium dual core - Intel® Core 2 Duo
Chipset	VIA P4M900 + VT8237A
Memory	512MB to 2GB DDR2 RAM
Expansion slots	1 x PCIe x16, 1 x PCIe x1, 2 x PCI
Operating systems	Microsoft Windows 2000/XP/7
Power Supply	90 - 264 VAC, overload protection, short circuit protection, over voltage protection 24VDC optional
Nominal Power	300 W active PFC, efficiency ≥ 75 %
Guarantee	24 Months ¹
Drives	
Mass Memory	2,5" HDD at 60 GB (optional RAID system)
Optical Drives	CD-Rom or optional DVD/CD-RW drive, rear side operation
Additional Drives	Floppy, rear side operation
Interfaces	
LAN/Ethernet	onboard Realtek RTL8201CL
USB	8 x USB 2.0 (4 x ext, 4 x int)
Serial Interface	2 x RS232 (1x int, 1x ext)
Parallel Interface	1 x LPT1 (EPP/ECP)
Keyboard/Mouse	2 x PS/2
Video	1 x VGA Port
Multimedia	7.1 channel Audio ALC883
Watchdog Functions	
CPU Temperature	Surveillance onboard
Fan rotation	Surveillance onboard
Ambient Conditions	
Vibration resistance	0,67G (5-500Mhz)
Shock resistance	300G/2ms
EMC	EN 55011, 55022, 500081
Temperature	+5°C to +45°C max.
Relative humidity	5% to 80% at 25°C (no humidity/condense)
Authorization	CE
Mechanical Characteristics	
PC Unit	Powder coated, EMC proofed

¹ warranty ex works, normally 24 months, fixed at order.
All data refer on print date, errors and changes excepted



Dimensions [mm]	
a:	368
b:	289
c:	165
Weight	ca. 7 kg



Highlights

- 4 Slots
- SATA RAID 0, 1, JBOD possible
- High Performance
- FSB up to 1066 MHz
- High configuration flexibility
- Intel® Core™2 Duo, Pentium® D, Pentium® 4, Celeron® D processors
- LookIn Display available



DB 100 Configuration

	1	2	3	4	5	6	7	8
Monitor								
no configuration								
LookIn Display								
Processor								
Celeron 1000 MHz PIII Board, 3 PCI								
Celeron, LGA775, 2 PCI Slots, 2 PCIe Slots								
Pentium dual Core LGA775, 2 PCI Slots, 2 PCIe Slots								
Intel® Core 2 Duo, 2 PCI Slots, 2 PCIe Slots								
Memory								
512 MB								
1 GB								
2 GB								
Drives								
CD ROM, slim Drive								
COMBO DVD/CD ROM R/W, slim Drive								
Storage								
2.5" no FD Drive, standard configuration								
2.5" with FD Drive, option								
Power								
110/230 VAC, auto-switch								
24VDC, option								
Front								
no configuration								
Operating system								
Microsoft Windows 2000 Prof. MUI								
Microsoft Windows XP Prof. MUI								
Microsoft Windows 7 Prof. English								
Microsoft Windows 7 Ult. MUI								
No operating System								

Your order code: **DB 100**



LookIn Display is situated on the front of the box and allows to check the status and control the settings of your DIVUS BOX PC. View CPU performance, change IP settings and more on the fly without a monitor, keyboard or mouse attached.