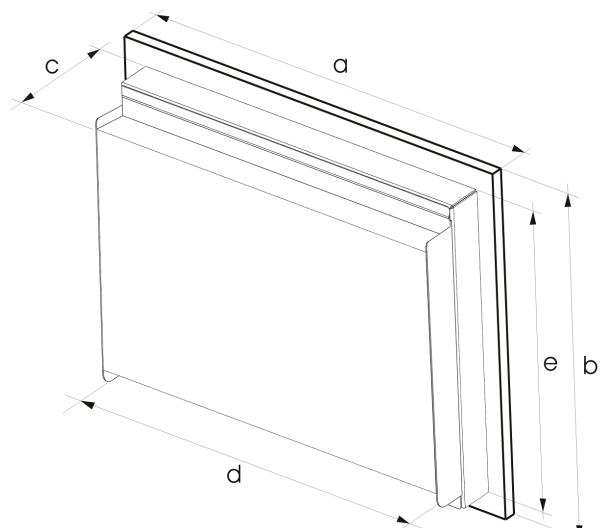


## TECHNICAL DATA

DS 691	
Product Type	Compact embedded Panel PC
General characteristics	
Processor	Intel Celeron Quad Core J1900 2.0 GHz - 2MB L2 cache -- FANLESS
Chipset	Intel Gen 7 Graphics Engines
Memory	Dual channel DDR3L 1066/1333 MHz SDRAM UP to 8GB
Expansion slots	1 x PCI Express x1 (riser card optional) 1 x colay H/S MiniPCle
Operating systems	Microsoft Windows 7/8/10
Power Supply	90 - 260 VAC fanless
	10 - 36 VDC fanless optional
Power consumption	30 W with 15" LED Monitor
Guarantee	24 Months <sup>1</sup>
Drives	
Mass Memory	2,5" HDD >= 60 GB (optional Flash Disk)
Optical Drives	optional CD-Rom or DVD/CD-RW drive, rear side operation
Additional Drives	Compact Flash Reader, optional
Interfaces	
LAN/Ethernet	2 x PCIe Gigabit ethernet controller onboard
USB	5 x USB2.0 (3xext, 2xint) 1 x USB3.0 (ext)
Serial Interface	5 x RS-232 (5 x int), 1 x RS-232/422/485 (int)
Keyboard/Mouse	via USB
Video	1 x VGA Supports up to 2560 x 1600
Multimedia	Realtek ALC892 Audio Codec
Other Interfaces	8 bit GPIO (int)
Watchdog Functions	
CPU Temperature	Surveillance onboard
Ambient Conditions	
Vibration resistance	15G
Shock resistance	50G
EMC	EN 55011, 55022, 500081
Temperature	+5°C to +45°C max.
Relative humidity	5% to 80% at 25°C (no humidity/condense)
Authorization	CE
Mechanical Characteristics	
PC Unit	Powder coated, EMC proofed



Front Unit				
Display diagonal size	12"	15"	19"	21"
	30,5 cm	38,1 cm	48,3 cm	54,1 cm
Resolution	800x600	1024x768	1280x1024	1600x1200
Luminosity [cd/m <sup>2</sup> ]	400	350	300	250
Contrast Ratio	500:1	550:1	800:1	500:1
MTBF backlight [h]	50.000			
Input	Resistive Touchscreen, 6-wire technology			
Touchcontroller	Alternatively USB or RS232			
Front	Alloy anodised, chemical resistant polyester foil			
Rating	IP65 according EN 60529			
Dimensions [mm]				
a:	400	472	540	
b:	310	383	440	
c:	115	120	135	
d:	370	440	509	
e:	290	363	406	
Weight	ca. 10 kg	ca. 13kg	ca. 15kg	



<sup>1</sup> warranty ex works, normally 24 months, fixed at order.  
All data refer on print date, errors and changes excepted

## HIGHLIGHTS

- Ultra LOW power requirements
- HIGH performance
- Intel ATOM processor
- 1 PCIe slot
- Fanless, passive air conduction
- Long life LED backlight Display
- Low mounting depth
- High power efficiency
- High performance
- Dual display architecture
- DUAL Gigabit LAN
- CDROM Drive optional



## DS 691 CONFIGURATION

### MONITOR

30,5 cm 12" TFT Display, 800x600 Pixel
38,1 cm 15" TFT Display, 1024x768 Pixel
48,3 cm 19" TFT Display, 1280x1024 Pixel <sup>3</sup>
54,1 cm 21" TFT Display, 1600x1200 Pixel <sup>3</sup>

### PROCESSOR

Intel® Celeron Quad Core Processor J1900 2.0GHz
---

### MEMORY

2 GB
4 GB <sup>3</sup>
8 GB <sup>3</sup>

### STORAGE

HDD 2.5" min 60 GB
MLC Flash drive 40GB <sup>4</sup>

### DRIVES

No drives
CFC-Adapter on slot
COMBO DVD/CD ROM R/W, slim Drive
COMBO DVD/CD ROM R/W, slim Drive + CFC-Adapter
PCIe flexible riser card on slot 3

### POWER

110/230 VAC, auto-switch fanless
9 - 28 VDC fanless

### FRONT

DIVUS foil
neutral, 1 colors
customized <sup>1</sup>

### OPERATING SYSTEM

Microsoft Windows 7 Prof. English
Microsoft Windows 7 Ult. MUI
Microsoft Windows 8 <sup>3</sup>
Microsoft Windows 10 <sup>3</sup>
No operating System

1	2	3	4	5	6	7	8
---	---	---	---	---	---	---	---

1							
2							
4							
5							

	3						
--	---	--	--	--	--	--	--

		5					
		6					
		7					

			1				
			x				

				0			
				1			
				3			
				5			
				6			

						1	
						2	

							0
							1
							2

							M
							O
							P
							Q
							0

YOUR ORDER CODE: DS 691



### NOTES:

- <sup>1</sup> Frontfoil: min. delivery 25 pcs
- <sup>3</sup> Only on Celeron J1900
- <sup>4</sup> SLC Drive available upon request

### OPTIONAL



Stainless steel front available on 15" and 19" panels