

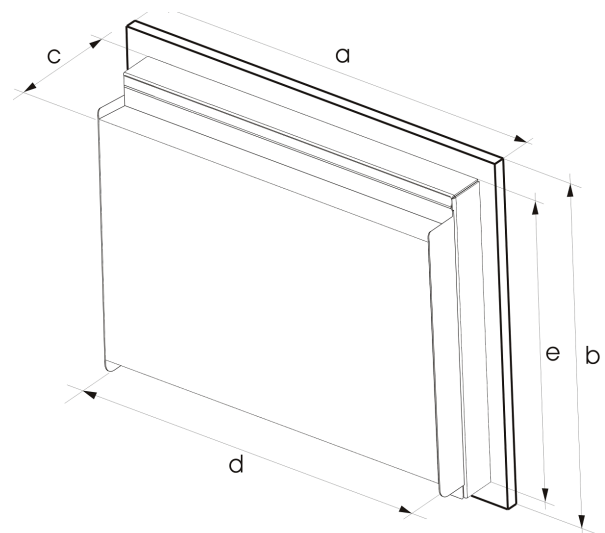
TECHNICAL DATA

DS 690	
Product Type	Compact embedded Panel PC
General characteristics	
Processor	Intel Celeron Quad Core J1900 2.0 GHz - 2MB L2 cache -- FANLESS
Chipset	Intel Gen 7 Graphics Engines
Memory	Dual channel DDR3L 1066/1333 MHz SDRAM UP to 8GB
Expansion slots	1 x PCI Express x1 (riser card optional) 1 x colay H/S MiniPCIe
Operating systems	Microsoft Windows 7/8/10
Power Supply	90 - 260 VAC fanless
	10 - 36 VDC fanless optional
Power consumption	30 W with 15" LED Monitor
Guarantee	24 Months ¹
Drives	
Mass Memory	2,5" HDD >= 60 GB (optional Flash Disk)
Additional Drives	Compact Flash Reader, optional
Interfaces	
LAN/Ethernet	2 x PCIe Gigabit ethernet controller onboard
USB	5 x USB2.0 (3xext, 2xint) 1 x USB3.0 (ext)
Serial Interface	5 x RS-232 (5 x int), 1 x RS-232/422/485 (int)
Keyboard/Mouse	via USB
Video	1 x VGA Supports up to 2560 x 1600
Multimedia	Realtek ALC892 Audio Codec
Other Interfaces	8 bit GPIO (int)
Watchdog Functions	
CPU Temperature	Surveillance onboard
Ambient Conditions	
Vibration resistance	15G
Shock resistance	50G
EMC	EN 55011, 55022, 500081
Temperature	+5°C to +45°C max.
Relative humidity	5% to 80% at 25°C (no humidity/condense)
Authorization	CE
Mechanical Characteristics	
PC Unit	Powder coated, EMC proofed

¹ warranty ex works, normally 24 months, fixed at order.
All data refer on print date, errors and changes excepted



Front Unit					
Display diagonal size	10,4"	12"	15"	19"	21"
	26,4 cm	30,5 cm	38,1 cm	48,3 cm	54,1 cm
Resolution	1024x768	800x600	1024x768	1280x1024	1600x1200
Luminosity [cd/m²]	400	400	350	300	250
Contrast Ratio	1.200:1	500:1	550:1	800:1	500:1
MTBF backlight [h]	50.000				
Input	Resistive Touchscreen, 6-wire technology				
Touchcontroller	Alternatively USB or RS232				
Front	Alloy anodised, chemical resistant polyester foil				
Rating	IP65 according EN 60529				
Dimensions [mm]					
a:	300	400	472	540	
b:	230	310	383	440	
c:	90	90	95	110	
d:	282	370	440	509	
e:	212	290	363	406	
Weight	ca 7kg	ca. 10 kg	ca. 13kg	ca. 15kg	



HIGHLIGHTS

- Ultra LOW power requirements
- HIGH performance
- Intel ATOM processor
- 1 expansion slot
- Fanless, passive air conduction
- Long life LED backlight Display
- High power efficiency
- High performance
- Dual display architecture
- DUAL Gigabit LAN



DS 690 CONFIGURATION

MONITOR

26,4 cm 10,4" TFT Display, 1024x768 Pixel2
30,5 cm 12" TFT Display, 800x600 Pixel
38,1 cm 15" TFT Display, 1024x768 Pixel
48,3 cm 19" TFT Display, 1280x1024 Pixel3
54,1 cm 21" TFT Display, 1600x1200 Pixel3

PROCESSOR

Intel® Celeron Quad Core Processor J1900 2.0GHz

MEMORY

2 GB
4 GB ³
8 GB ³

STORAGE

HDD 2.5" min 60 GB
MLC Flash drive 40GB ⁴

DRIVES

No drives
CFC-Adapter on slot 2
PCIe flexible riser card on slot 2,3

POWER

110/230 VAC, auto-switch fanless
9 - 28 VDC fanless

FRONT

DIVUS foil
neutral, 1 colors
customized1

OPERATING SYSTEM

Microsoft Windows 7 Prof. English
Microsoft Windows 7 Ult. MUI
Microsoft Windows 8 ³
Microsoft Windows 10 ³
No operating System

1	2	3	4	5	6	7	8
---	---	---	---	---	---	---	---

0							
1							
2							
4							
5							

3							
---	--	--	--	--	--	--	--

	5						
	6						
	7						

		1					
		x					

					0		
					1		
					6		

						1	
						2	

							0
							1
							2

							M
							O
							P
							Q
							0

YOUR ORDER CODE: DS 690



NOTES:

- ³ Only on Celeron J1900
- ⁴ SLC Drive available upon request

OPTIONAL

V₂A Stainless steel front available on 15" and 19" panels

