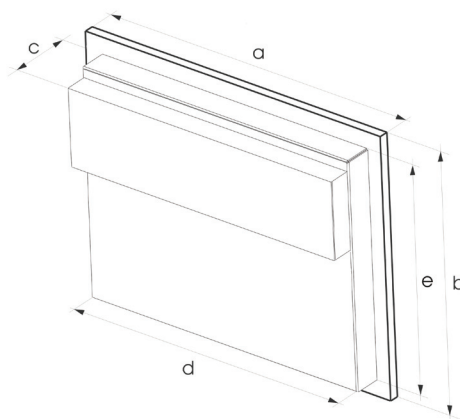


TECHNICAL DATA

DM 200					
Product Type	Compact industrial monitor for front mounting				
Front Unit	10,4"	12"12"	15"	19"	21"
Display diagonal size	26,4 cm	30,5 cm	38,1 cm	48,3 cm	54,1 cm
Resolution	1024x768	800x600	1024x768	1280x1024	1600x1200
Luminosity [cd/m ²]	330	400	430	300	250
Contrast Ratio	450:1	500:1	450:1	800:1	500:1
MTBF backlight tubes [h]	50.000				
Method of operating	Resistive Touchscreen, 6-wire technology				
Touchcontroller	Alternatively USB or RS232				
Rating	IP65 according EN 60529				
General characteristics					
Power Supply	90-264 VAC autorange ²				
	24VDC optional / 12 VDC for 10" monitor				
Power consumption	30 W for 15" Display				
Guarantee	24 Months ¹				
Interfaces					
VGA / DVI	Connect with the VGA or DVI-Output of your box PC				
Touch	Connect with the USB- or RS232-Port of your box PC (depending from the type of the chosen Touchcontroller)				
Ambient Conditions					
Vibration resistance	0,67G (5-500Mhz)				
Shock resistance	300G/2ms				
EMC	EN 55011, 55022, 500081				
Temperature	+5°C to +45°C max.				
Relative humidity	5% to 80% at 25°C (no humidity/condense)				
Authorization	CE				
Dimensions [mm]	10,4"	12"12"	15"	19"	21"
a:	300	400		472	540
b:	230	310		383	440
c:	55	65		70	75
d:	282	370		440	509
e:	212	290		363	406
Weight	ca. 3 kg	ca. 4 kg		ca. 6kg	ca. 7kg
Mechanical Characteristics					
Front	Alloy anodised, chemical resistant polyester foil				

¹ warranty ex works, normally 24 months, fixed at order.

² 10" monitor is delivered with external power supply
All data refer on print date, errors and changes excepted



HIGHLIGHTS

- Low profile
- Luminosity up to 430 cd/m²
- Contrast up to 800:1
- Screen size from 12" to 21"
- DVI input optional



DM 200 CONFIGURATION

MONITOR

26,4 cm 10,4" TFT Display, 1024x768 Pixel
30,5 cm 12" TFT Display, 800x600 Pixel
38,1 cm 15" TFT Display, 1024x768 Pixel
48,3 cm 19" TFT Display, 1280x1024 Pixel
54,1 cm 21" TFT Display, 1600x1200 Pixel

GRAFIC INTERFACE

VGA+DVI

DEVICES

no configuration

POWER

110/230 VAC, auto-switch
24VDC, option / 12 VDC for 10" monitor

FRONT

DIVUS foil
neutral, 1 colors
customized ¹

OPERATING SYSTEM

no configuration

1	2	3	4	5	6	7	8
---	---	---	---	---	---	---	---

0							
1							
2							
4							
5							

	0						
--	---	--	--	--	--	--	--

		0	0	0			
--	--	---	---	---	--	--	--

						1	
						2	

							0
							1
							2

							0
--	--	--	--	--	--	--	---

YOUR ORDER CODE: DM 200

0	0	0	0				0
---	---	---	---	--	--	--	---

¹ Frontfoil: min. delivery 25 pcs

OPTIONAL

V₂A Stainless steel front available on 15" and 19" panels

