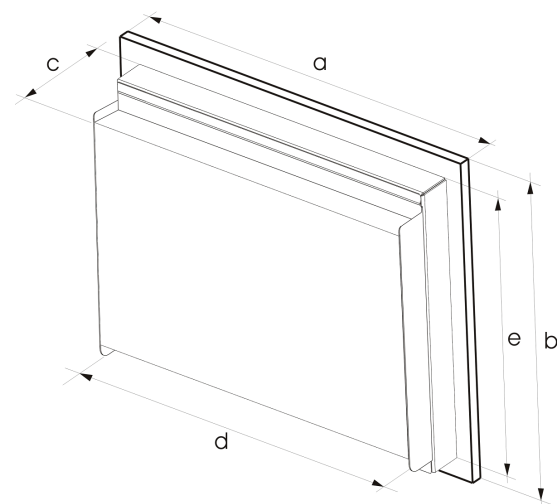


TECHNICAL DATA

DE 891	
Product Type	Compact embedded Panel PC
General characteristics	
Processor	Intel Celeron Quad Core J1900 2.0 GHz with 2M L2 Cache -- FANLESS
Chipset	Intel Gen 7 Graphics Engines
Memory	Dual channel DDR3L 1066/1333MHz SDRAM UP to 8GB
Expansion slots	1 x PCI Express x1 (riser card optional) 1 x colay H/S MiniPCIe
Power Supply	90 - 260 VAC fanless
	10 - 36 VDC fanless optional
Power consumption	30 W with 15" LED Monitor
Guarantee	24 Months ¹
Operating Systems	
Operating systems	Windows Embedded Standard 7 Windows Embedded 8 Standard Windows 10 IoT
Available Disc Space	30 GB
Drives	
Mass Memory	mSata 60GB
Optical Drives	optional DVD/CD-RW drive, rear side operation
Additional Drives	Compact Flash Reader, optional
Interfaces	
LAN/Ethernet	2 x Realtek PCIe Gigabit ethernet controller onboard
USB	5 x USB2.0 (3 x ext.) 1 x USB3.0 (1 x ext.)
Serial Interface	5 x RS-232 (5 x int.) 1 x RS-232/422/485 (int)
Keyboard/Mouse	USB
Video	1 x VGA Supports up to 2560 x 1600
Multimedia	Realtek ALC892 Audio Codec
Other Interfaces	GPIO 8-bit (int)
Watchdog Functions	
CPU Temperature	Surveillance onboard
Ambient Conditions	
Vibration resistance	15G
Shock resistance	50G
EMC	EN 55011, 55022, 500081
Temperature	+5°C to +45°C max.
Relative humidity	5% to 80% at 25°C (no humidity/condense)
Authorization	CE
Mechanical Characteristics	
PC Unit	Powder coated, EMC proofed



Front Unit				
Display diagonal size	12"	15"	19"	21"
	30,5 cm	38,1 cm	48,3 cm	54,1 cm
--Resolution	800x600	1024x768	1280x1024	1600x1200
Luminosity [cd/m ²]	400	350	300	250
Contrast Ratio	500:1	550:1	800:1	500:1
MTBF backlight [h]	50.000			
Input	Resistive Touchscreen, 6-wire technology			
Touchcontroller	Alternatively USB or RS232			
Front	Alloy anodised, chemical resistant polyester foil			
Rating	IP65 according EN 60529			
Dimensions [mm]				
a:	400	472	540	
b:	310	383	440	
c:	115	120	135	
d:	370	440	509	
e:	290	363	406	
Weight	ca. 10 kg	ca. 13kg	ca. 15kg	



¹ warranty ex works, normally 24 months, fixed at order.
All data refer on print date, errors and changes excepted

HIGHLIGHTS

- Ultra LOW power requirements
- HIGH performance
- Intel ATOM processor
- 1 PCIe slot
- Fanless, passive air conduction
- Motionless, no moving parts
- Long life LED backlight Display
- Low mounting depth
- High power efficiency
- High performance
- Dual display architecture
- DUAL Gigabit LAN



DE 891 CONFIGURATION

MONITOR

30,5 cm 12" TFT Display, 800x600 Pixel
38,1 cm 15" TFT Display, 1024x768 Pixel
48,3 cm 19" TFT Display, 1280x1024 Pixel ³
54,1 cm 21" TFT Display, 1600x1200 Pixel ³

PROCESSOR

Intel Celeron Quad Core J1900 2.0 GHz

MEMORY

2 GB
4 GB ³
8 GB ³

STORAGE

Flash Memory SLC 4 GB
Flash Memory SLC 8 GB
Flash Memory SLC 16 GB
Flash Memory MLC 32 GB ⁴
Flash Memory MLC >=60 GB ⁴

DRIVES

No drives
CFC-Adapter on slot
COMBO DVD/CD ROM R/W, slim Drive
COMBO DVD/CD ROM R/W, slim Drive + CFC-Adapter
PCIe flexible riser card on slot 2,3

POWER

110/230 VAC, auto-switch fanless
9 - 28 VDC fanless

FRONT

DIVUS foil
neutral, 1 colors
customized ¹

OPERATING SYSTEM

Microsoft WE7E English - min. 8 GB Storage
Microsoft WE7P MUI - min. 16 GB Storage
Microsoft WE8S - min. 60 GB Storage ³
Microsoft Windows 10 IoT ³

1	2	3	4	5	6	7	8
---	---	---	---	---	---	---	---

1							
2							
4							
5							

	3						
--	---	--	--	--	--	--	--

		5					
		6					
		7					

			6				
			7				
			8				
			9				
			X				

				0			
				1			
				3			
				5			
				6			

					1		
					2		

						0	
						1	
						2	

							T
							U
							V
							Q

YOUR ORDER CODE: DE 891



NOTES:

- ¹ Frontfoil: min. delivery 25 pcs
- ³ Only on Celeron J1900
- ⁴ SLC Drive on request

OPTIONAL

V₂A Stainless steel front available on 15" and 19" panels

