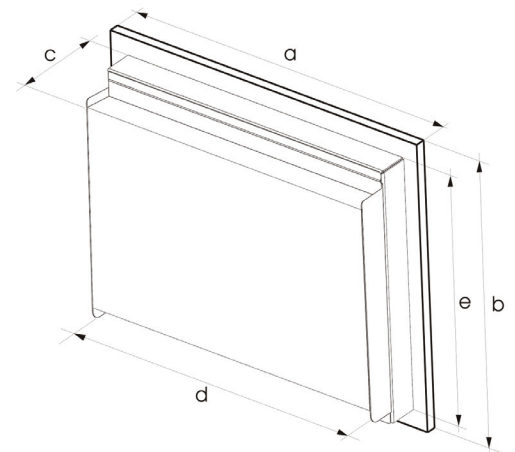


TECHNICAL DATA

DE 890	
Product Type	Compact embedded Panel PC
GENERAL CHARACTERISTICS	
Processor	Intel Celeron Quad Core J1900 2.0 GHz with 2M L2 Cache -- FANLESS
Chipset	Intel Gen 7 Graphics Engines
Memory	Dual channel DDR3L 1066/1333MHz SDRAM UP to 8GB
Expansion slots	1 x PCI Express x1 (riser card optional) 1 x colay H/S MiniPCle
Power Supply	90 - 260 VAC fanless 10 - 36 VDC fanless optional
Power consumption	30 W with 15" LED Monitor
Guarantee	24 Months ¹
Operating Systems	
Operating systems	Windows Embedded Standard 7 Windows Embedded 8 Standard Windows 10 IoT
Available Disc Space	30 GB
Drives	
Mass Memory	mSata 60GB
Interfaces	
LAN/Ethernet	2 x Realtek PCIe Gigabit ethernet controller onboard
USB	5 x USB2.0 (3 x ext.) 1 x USB3.0 (1 x ext.)
Serial Interface	5 x RS-232 (5 x int), 1 x RS-232/422/485 (int)
Keyboard/Mouse	USB
Video	1 x VGA Supports up to 2560 x 1600
Multimedia	Realtek ALC892 Audio Codec
Other Interfaces	GPIO 8-bit (int)
Watchdog Functions	
CPU Temperature	Surveillance onboard
Ambient Conditions	
Vibration resistance	15G
Shock resistance	50G
EMC	EN 55011, 55022, 500081
Temperature	+5°C to +45°C max.
Relative humidity	5% to 80% at 25°C (no humidity/condense)
Authorization	CE
Mechanical Characteristics	
PC Unit	Powder coated, EMC proofed



Front Unit					
Display diagonal size	10,4"	12"	15"	19"	21"
	26,4 cm	30,5 cm	38,1 cm	48,3 cm	54,1 cm
Resolution	1024x768	800x600	1024x768	1280x1024	1600x1200
Luminosity [cd/m ²]	400	400	350	300	250
Contrast Ratio	1.200:1	500:1	550:1	800:1	500:1
MTBF backlight [h]	50.000				
Input	Resistive Touchscreen, 6-wire technology				
Touchcontroller	Alternatively USB or RS232				
Front	Alloy anodised, chemical resistant polyester foil				
Rating	IP65 according EN 60529				
Dimensions [mm]					
a:	300	400	472	540	
b:	230	310	383	440	
c:	90	90	95	110	
d:	282	370	440	509	
e:	212	290	363	406	
Weight	ca 7kg	ca. 10 kg	ca. 13kg	ca. 15kg	



¹ warranty ex works, normally 24 months, fixed at order.
All data refer on print date, errors and changes excepted

HIGHLIGHTS

- Ultra LOW power requirements
- HIGH performance
- Fanless, passive air conduction
- Motionless, no moving parts
- Long life LED backlight Display
- Low mounting depth
- 1 PCIe slot
- High power efficiency
- High performance
- Dual display architecture
- Gigabit LAN



DE 890 CONFIGURATION

MONITOR

26,4 cm 10,4" TFT Display, 1024x768 Pixel ²
30,5 cm 12" TFT Display, 800x600 Pixel
38,1 cm 15" TFT Display, 1024x768 Pixel
48,3 cm 19" TFT Display, 1280x1024 Pixel ³
54,1 cm 21" TFT Display, 1600x1200 Pixel ³

PROCESSOR

Intel Celeron Quad Core J1900 2.0 GHz

MEMORY

2 GB
4 GB ³
8 GB ³

STORAGE

Flash Memory SLC 4 GB
Flash Memory SLC 8 GB
Flash Memory SLC 16 GB
Flash Memory MLC 32 GB ⁴
Flash Memory MLC >=60 GB ⁴

DRIVES

No drives
CFC-Adapter
PCIe flexible riser card on slot 2,3

POWER

110/230 VAC, auto-switch fanless
9 - 28 VDC fanless

FRONT

DIVUS foil
neutral, 1 colors
customized ¹

OPERATING SYSTEM

Microsoft WE7E English - min. 8 GB Storage
Microsoft WE7P MUI - min. 16 GB Storage
Microsoft WE8S - min. 60 GB Storage ³
Microsoft Windows 10 IoT ³

1	2	3	4	5	6	7	8
---	---	---	---	---	---	---	---

0							
1							
2							
4							
5							

3							
---	--	--	--	--	--	--	--

	5						
	6						
	7						

		6					
		7					
		8					
		9					
		X					

				0			
				1			
				6			

					1		
					2		

						0	
						1	
						2	

							T
							U
							V
							Q

YOUR ORDER CODE: DE 890

--	--	--	--	--	--	--	--

NOTES:

- ¹ Frontfoil: min. delivery 25 pcs
- ² No expansion Slot on 10" version
- ³ Only on Celeron J1900
- ⁴ SLC Drive on request

OPTIONAL

V₂A Stainless steel front available on 15" and 19" panels

