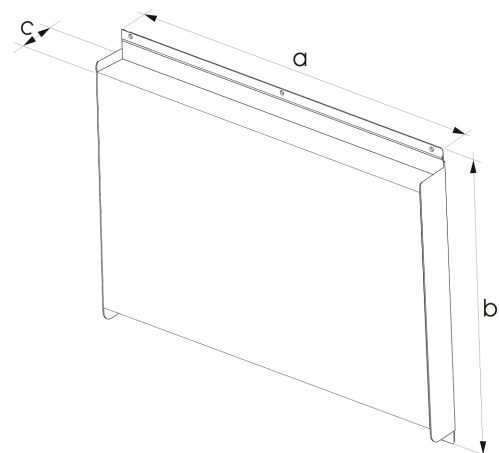


### TECHNICAL DATA

DB 891	
Product Type	Compact embedded box PC
General characteristics	
Processor	Intel Celeron Quad Core J1900 2.0 GHz with 2M L2 Cache -- FANLESS
Chipset	Intel Gen 7 Graphics Engines
Memory	Dual channel DDR3L 1066/1333MHz SDRAM UP to 8GB
Expansion slots	1 x PCI Express x1 (riser card optional) 1 x colay H/S MiniPCIe
Power Supply	90 - 260 VAC fanless 10 - 36 VDC fanless optional
Power consumption	20 W
Guarantee	24 Months <sup>1</sup>
Operating Systems	
Operating systems	Windows Embedded Standard 7 Windows Embedded 8 Standard Windows 10 IoT
Available Disc Space	30 GB
Drives	
Mass Memory	mSata 60GB
Interfaces	
LAN/Ethernet	2 x Realtek PCIe Gigabit ethernet controller onboard
USB	5 x USB2.0 (3 x ext.) 1 x USB3.0 (1 x ext.)
Serial Interface	5 x RS-232 (5 x int.) 1 x RS-232/422/485 (int)
Keyboard/Mouse	USB
Video	1 x VGA Supports up to 2560 x 1600
Multimedia	Realtek ALC892 Audio Codec
Other Interfaces	GPIO 8-bit (int)
Watchdog Functions	
CPU Temperature	Surveillance onboard
Ambient Conditions	
Vibration resistance	15G
Shock resistance	50G
EMC	EN 55011, 55022, 500081
Temperature	+5°C to +45°C max.
Relative humidity	5% to 80% at 25°C (no humidity/condense)
Authorization	CE
Mechanical Characteristics	
PC Unit	Powder coated, EMC proofed



Dimensions [mm]	
a:	368
b:	289
c:	55
Weight	ca. 6 kg



<sup>1</sup> warranty ex works, normally 24 months, fixed at order.  
All data refer on print date, errors and changes excepted

## HIGHLIGHTS

- 1 expansion slots
- Low mounting depth
- Low power requirements
- INTEL ATOM processor
- Fanless, passive air conduction
- Motionless, no moving parts



## DB 890 CONFIGURATION

### MONITOR

no configuration

### PROCESSOR

Intel Celeron Quad Core J1900 2.0 GHz

### MEMORY

2 GB

4 GB<sup>3</sup>

8 GB<sup>3</sup>

### STORAGE

Flash Memory SLC 4 GB

Flash Memory SLC 8 GB

Flash Memory SLC 16 GB

Flash Memory MLC 32 GB<sup>4</sup>

Flash Memory MLC >=60 GB<sup>4</sup>

### DRIVES

No drives

CFC-Adapter

PCIe flexible riser card on slot 2,3

### POWER

110/230 VAC, auto-switch fanless

9 - 28 VDC fanless

### FRONT

no configuration

### OPERATING SYSTEM

Microsoft WE7E English - min. 8 GB Storage

Microsoft WE7P MUI - min. 16 GB Storage

Microsoft WE8S - min. 60 GB Storage<sup>3</sup>

Microsoft Windows 10 IoT - min. 60 GB Storage<sup>3</sup>

1	2	3	4	5	6	7	8
---	---	---	---	---	---	---	---

0							
---	--	--	--	--	--	--	--

3							
---	--	--	--	--	--	--	--

	5						
--	---	--	--	--	--	--	--

	6						
--	---	--	--	--	--	--	--

	7						
--	---	--	--	--	--	--	--

		6					
--	--	---	--	--	--	--	--

		7					
--	--	---	--	--	--	--	--

		8					
--	--	---	--	--	--	--	--

		9					
--	--	---	--	--	--	--	--

		X					
--	--	---	--	--	--	--	--

				0			
--	--	--	--	---	--	--	--

				1			
--	--	--	--	---	--	--	--

				6			
--	--	--	--	---	--	--	--

					1		
--	--	--	--	--	---	--	--

					2		
--	--	--	--	--	---	--	--

							0
--	--	--	--	--	--	--	---

							T
--	--	--	--	--	--	--	---

							U
--	--	--	--	--	--	--	---

							V
--	--	--	--	--	--	--	---

							Q
--	--	--	--	--	--	--	---

YOUR ORDER CODE: DB 890

0						0	
---	--	--	--	--	--	---	--

### NOTES:

<sup>3</sup> Only on Celeron J1900

<sup>4</sup> SLC Drive on request