

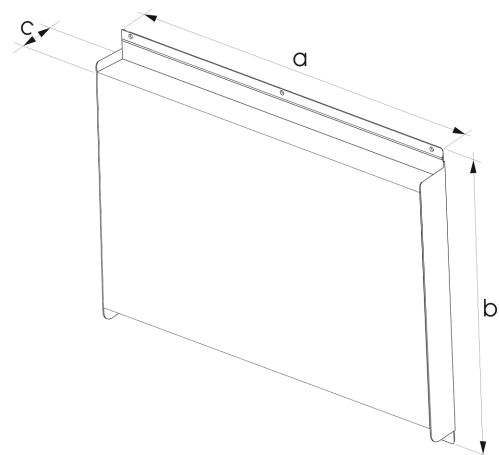
### TECHNICAL DATA

| DB 671                     |  |
|----------------------------|--|
| Product Type               | Compact box PC   |
| General characteristics    |  |
| Processor                  | Intel® mobile Core™ i5/i3 fan                                    |
| Chipset                    | Intel® HM55  |
| Memory                     | 1GB to 4GB DDR 3 SDRAM   |
| Expansion slots            | 1 PCIe x16 slot<br>1 PCIe Mini card slot                         |
| Operating systems          | Microsoft Windows XP/7/8/10                                      |
| Power Supply               | 90 - 264 VAC auto range  |
|                            | 24VDC optional   |
| Power consumption          | 25 W   |
| Guarantee                  | 24 Months <sup>1</sup>   |
| Drives                     |  |
| Mass Memory                | 2,5" HDD at 60 GB (optional Flash Memory)                        |
| Optical Drives             | optional DVD/CD-RW drive, rear side operation                    |
| Additional Drives          | Compact Flash reader on slot optional                            |
| Interfaces                 |  |
| LAN/Ethernet               | Dual PCIe GbE controller   |
| USB                        | 5 x USB 2.0 (4 x external, 1 x internal)                         |
| Serial Interface           | 1 x RS232 (ext), 1 x RS -232/422/485 (int)                       |
| Display                    | 1 free VGA port (dual display architecture)                      |
| Multimedia                 | Mic in, Line out   |
| Watchdog Functions         |  |
| CPU Temperature            | Surveillance onboard, auto throttling control when CPU overheats |
| Fan rotation               | Surveillance onboard   |
| Ambient Conditions         |  |
| Vibration resistance       | 0,67G (5-500Mhz)   |
| Shock resistance           | 300G/2ms   |
| EMC                        | EN 55011, 55022, 500081  |
| Temperature                | +5°C to +45°C max.   |
| Relative humidity          | 5% to 80% at 25°C (no humidity/condense)                         |
| Authorization              | CE   |
| Mechanical Characteristics |  |
| PC Unit                    | Powder coated, EMC proofed                                       |



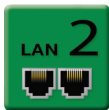
| Dimensions [mm] |          |
|-----------------|----------|
| a:              | 368      |
| b:              | 289      |
| c:              | 80       |
| Weight          | ca. 6 kg |

<sup>1</sup> warranty ex works, normally 24 months, fixed at order.  
All data refer on print date, errors and changes excepted



### HIGHLIGHTS

- CD/DVD drive available
- Intel® i3/i5 mobile
- Low mounting depth
- High power efficiency
- High performance
- Dual LAN
- LookIn Display available



### DB 671 CONFIGURATION

#### MONITOR

|                  |
|------------------|
| no configuration |
| LookIn Display   |

#### PROCESSOR

|                            |
|----------------------------|
| Intel® mobile Core™ i3 fan |
| Intel® mobile Core™ i5 fan |

#### MEMORY

|      |
|------|
| 1 GB |
| 2 GB |
| 4 GB |

#### STORAGE

|                                 |
|---------------------------------|
| HDD 2.5" min 60 GB              |
| SSD MLC drive 40GB <sup>4</sup> |

#### DRIVES

|                                  |
|----------------------------------|
| No drives                        |
| COMBO DVD/CD ROM R/W, slim Drive |

#### POWER

|                                  |
|----------------------------------|
| 110/230 VAC, auto-switch fanless |
| 24 VDC fanless                   |

#### FRONT

|                  |
|------------------|
| no configuration |
|------------------|

#### OPERATING SYSTEM

|                                   |
|-----------------------------------|
| Microsoft Windows XP Prof. MUI    |
| Microsoft Windows 7 Prof. English |
| Microsoft Windows 7 Ult. MUI      |
| Microsoft Windows 8               |
| Microsoft Windows 10              |
| No operating System               |

|   |   |   |   |   |   |   |   |
|---|---|---|---|---|---|---|---|
| 1 | 2 | 3 | 4 | 5 | 6 | 7 | 8 |
|---|---|---|---|---|---|---|---|

|   |  |  |  |  |  |  |  |
|---|--|--|--|--|--|--|--|
| 0 |  |  |  |  |  |  |  |
| L |  |  |  |  |  |  |  |

|  |   |  |  |  |  |  |  |
|--|---|--|--|--|--|--|--|
|  | 6 |  |  |  |  |  |  |
|  | 7 |  |  |  |  |  |  |

|  |  |   |  |  |  |  |  |
|--|--|---|--|--|--|--|--|
|  |  | 4 |  |  |  |  |  |
|  |  | 5 |  |  |  |  |  |
|  |  | 6 |  |  |  |  |  |

|  |  |  |   |  |  |  |  |
|--|--|--|---|--|--|--|--|
|  |  |  | 1 |  |  |  |  |
|  |  |  | x |  |  |  |  |

|  |  |  |  |   |  |  |  |
|--|--|--|--|---|--|--|--|
|  |  |  |  | 0 |  |  |  |
|  |  |  |  | 3 |  |  |  |

|  |  |  |  |  |   |  |  |
|--|--|--|--|--|---|--|--|
|  |  |  |  |  | 1 |  |  |
|  |  |  |  |  | 2 |  |  |

|  |  |  |  |  |  |  |   |
|--|--|--|--|--|--|--|---|
|  |  |  |  |  |  |  | 0 |
|--|--|--|--|--|--|--|---|

|  |  |  |  |  |  |  |   |
|--|--|--|--|--|--|--|---|
|  |  |  |  |  |  |  | L |
|  |  |  |  |  |  |  | M |
|  |  |  |  |  |  |  | O |
|  |  |  |  |  |  |  | P |
|  |  |  |  |  |  |  | Q |
|  |  |  |  |  |  |  | 0 |

YOUR ORDER CODE: DB 671

|  |  |  |  |  |  |  |   |
|--|--|--|--|--|--|--|---|
|  |  |  |  |  |  |  | 0 |
|--|--|--|--|--|--|--|---|

#### NOTES:

<sup>4</sup> SLC Drive available upon request

LookIn Display is situated on the top of the box and allows to check the status and control the settings of your DIVUS BOX PC. View CPU performance, change IP settings and more on the fly without a monitor, keyboard or mouse attached.

